

## EcoPlus and EcoSlim Drawings and Charts (24PS HLG)

### Wiring Diagrams:

- EL001199 - Without Dimmer
- EL001454 - With Lutron Dimmers
- EL001423 - With Jung Dimmers
- EL001455 - Lutron Dimmers with Multiple Power Systems
- EL001447 - Jung Dimmers with Multiple Power Systems

For:

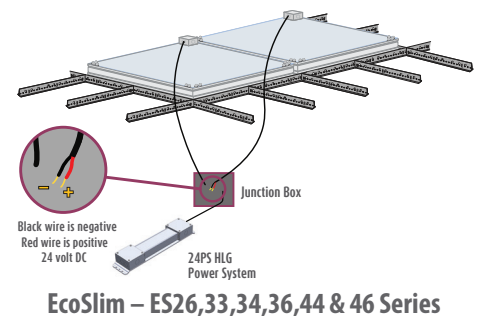
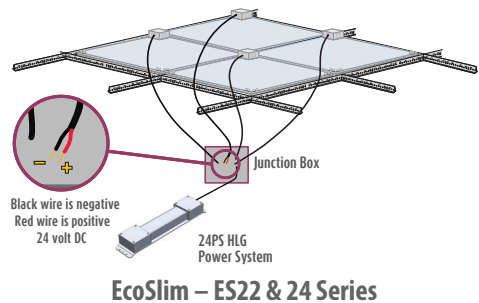
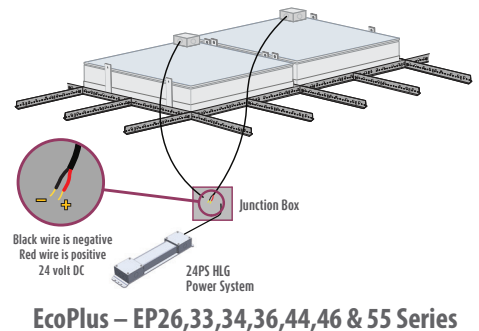
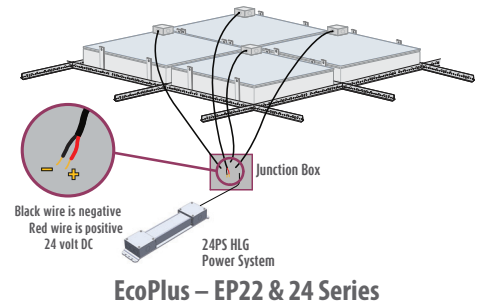
EP22 Series = EP22, EP22M, EP22G  
 EP24 Series = EP24, EP24M, EP24G  
 EP26 Series = EP26, EP26M, EP26G  
 EP34 Series = EP34, EP34M, EP34G  
 EP33 Series = EP33, EP33M, EP33G  
 EP36 Series = EP36, EP36M, EP36G  
 EP44 Series = EP44, EP44M, EP44G  
 EP46 Series = EP46, EP46M, EP46G  
 EP55 Series = EP55, EP55M, EP55G  
 and EPCST Series

ES22 Series = ES22, ES22M, ES22G  
 ES24 Series = ES24, ES24M, ES24G  
 ES26 Series = ES26, ES26M, ES26G  
 ES33 Series = ES33, ES33M, ES33G  
 ES34 Series = ES34, ES34M, ES34G  
 ES36 Series = ES36, ES36M, ES36G  
 ES44 Series = ES44, ES44M, ES44G  
 ES46 Series = ES46, ES46M, ES46G  
 and EPCST Series

### Sky Factory 24PS HLG Power System Dimensions and Weights

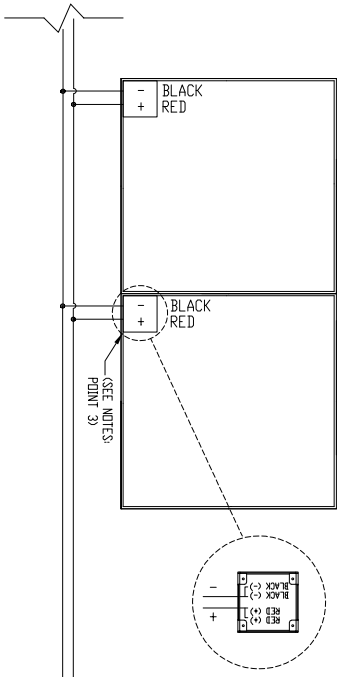
### Wire Sizing Chart

For technical support at any time during the installation, please call us **toll free at 866-759-3228**.  
 We want your installation to go as smoothly as possible. Thank you for choosing Sky Factory.

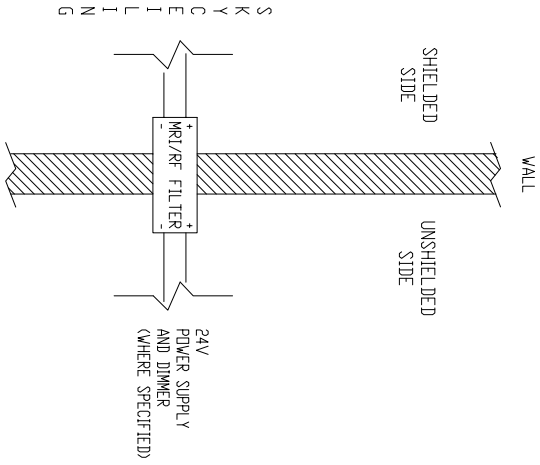
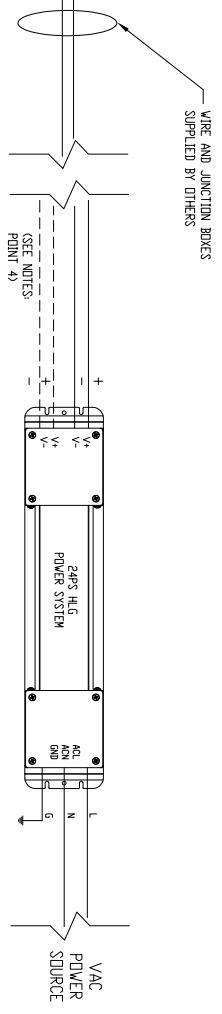


EP AND ES SERIES FIXTURES  
WITH 24PS HLG POWER SYSTEM  
NON-DIMMING OPTION

- ECODPLUS  
EP22 SERIES, EP24 SERIES,  
EP26 SERIES, EP33 SERIES,  
EP34 SERIES, EP36 SERIES,  
EP44 SERIES, EP46 SERIES,  
EP55 SERIES, EPCST SERIES
- ECOSLIM  
ES22 SERIES, ES24 SERIES,  
ES26 SERIES, ES33 SERIES,  
ES34 SERIES, ES36 SERIES,  
ES44 SERIES, ES46 SERIES,  
ESCT SERIES



- NOTES:
1. ALL FIXTURES 24V DC ONLY.
  2. JUNCTION BOX ATTACHED TO EACH FIXTURE:  
WIRE SIZE 18 AWG STRANDED  
WIRE COLORS:  
RED (+) (POSITIVE)  
BLACK (-) (NEGATIVE)
  3. EP36, 44, 46, 55 AND ES36, 44, 46 HAVE TWO SETS OF LEADS. ALWAYS CONNECT RED (+) TO RED (+) AND BLACK (-) TO BLACK (-)
  4. HLG-480H-24B AND HLG-600H-24B HAVE TWO SETS OF OUTPUT LEADS. MEANWELL RECOMMENDS NO MORE THAN 240 WATTS DN EACH SET OF CABLES FOR HLG-480H-24B 480 WATTS DN EACH SET OF CABLES FOR HLG-600H-24B

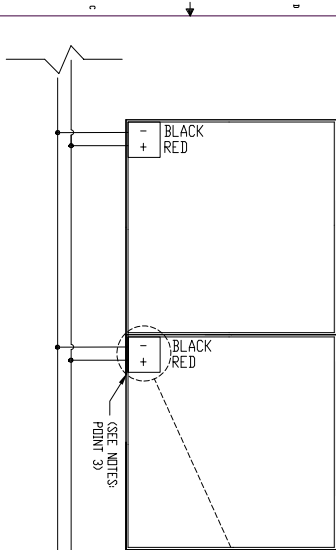


<b>Silky Factory</b>	
MANUFACTURER OF DIMMERS 10000 WILSON BLVD SUITE 100 DALLAS, TX 75243 TEL: 972-412-1111 WWW.SILKYFACTORY.COM	DOC. NO. E.L001199
REVISIONS REV. 1: 01/2019 REV. 2: 02/2019 REV. 3: 03/2019 REV. 4: 04/2019 REV. 5: 05/2019 REV. 6: 06/2019 REV. 7: 07/2019 REV. 8: 08/2019 REV. 9: 09/2019 REV. 10: 10/2019 REV. 11: 11/2019 REV. 12: 12/2019 REV. 13: 01/2020 REV. 14: 02/2020 REV. 15: 03/2020 REV. 16: 04/2020 REV. 17: 05/2020 REV. 18: 06/2020 REV. 19: 07/2020 REV. 20: 08/2020 REV. 21: 09/2020 REV. 22: 10/2020 REV. 23: 11/2020 REV. 24: 12/2020 REV. 25: 01/2021 REV. 26: 02/2021 REV. 27: 03/2021 REV. 28: 04/2021 REV. 29: 05/2021 REV. 30: 06/2021 REV. 31: 07/2021 REV. 32: 08/2021 REV. 33: 09/2021 REV. 34: 10/2021 REV. 35: 11/2021 REV. 36: 12/2021 REV. 37: 01/2022 REV. 38: 02/2022 REV. 39: 03/2022 REV. 40: 04/2022 REV. 41: 05/2022 REV. 42: 06/2022 REV. 43: 07/2022 REV. 44: 08/2022 REV. 45: 09/2022 REV. 46: 10/2022 REV. 47: 11/2022 REV. 48: 12/2022 REV. 49: 01/2023 REV. 50: 02/2023 REV. 51: 03/2023 REV. 52: 04/2023 REV. 53: 05/2023 REV. 54: 06/2023 REV. 55: 07/2023 REV. 56: 08/2023 REV. 57: 09/2023 REV. 58: 10/2023 REV. 59: 11/2023 REV. 60: 12/2023 REV. 61: 01/2024 REV. 62: 02/2024 REV. 63: 03/2024 REV. 64: 04/2024 REV. 65: 05/2024 REV. 66: 06/2024 REV. 67: 07/2024 REV. 68: 08/2024 REV. 69: 09/2024 REV. 70: 10/2024 REV. 71: 11/2024 REV. 72: 12/2024 REV. 73: 01/2025 REV. 74: 02/2025 REV. 75: 03/2025 REV. 76: 04/2025 REV. 77: 05/2025 REV. 78: 06/2025 REV. 79: 07/2025 REV. 80: 08/2025 REV. 81: 09/2025 REV. 82: 10/2025 REV. 83: 11/2025 REV. 84: 12/2025 REV. 85: 01/2026 REV. 86: 02/2026 REV. 87: 03/2026 REV. 88: 04/2026 REV. 89: 05/2026 REV. 90: 06/2026 REV. 91: 07/2026 REV. 92: 08/2026 REV. 93: 09/2026 REV. 94: 10/2026 REV. 95: 11/2026 REV. 96: 12/2026 REV. 97: 01/2027 REV. 98: 02/2027 REV. 99: 03/2027 REV. 100: 04/2027	
TITLE 24PS HLG POWER SYSTEM WITH 24V DC DIMMER NON-DIMMING OPTION	DATE 04/20/2024
DESIGNED BY E.L001199	DRAWN BY E.L001199
CHECKED BY E.L001199	SCALE AS SHOWN
APPROVED BY E.L001199	SHEET NO. 1 OF 1

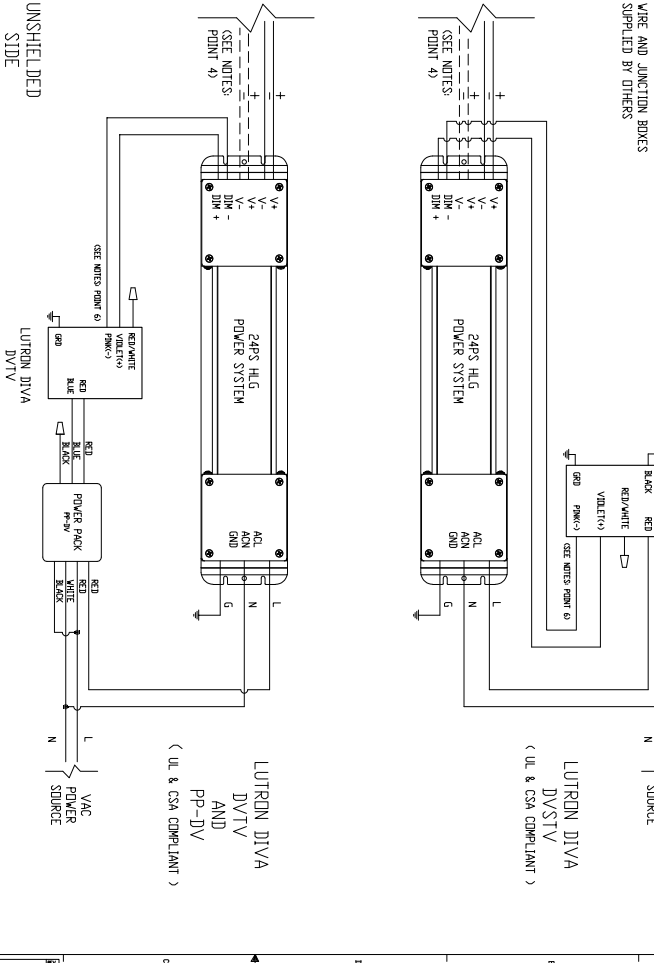
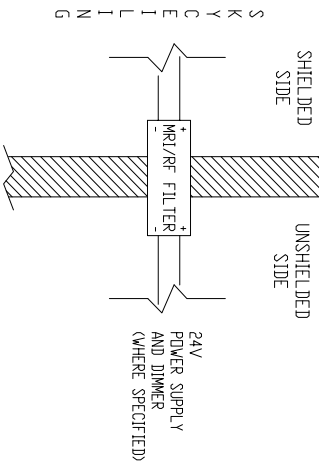
EP AND ES SERIES FIXTURES  
WITH 24PS HLG POWER SYSTEM  
DIMMING OPTION

ECDPLUS  
EP22 SERIES, EP24 SERIES,  
EP26 SERIES, EP33 SERIES,  
EP34 SERIES, EP36 SERIES,  
EP44 SERIES, EP46 SERIES,  
EP55 SERIES, EPCST SERIES

ECDSLIM  
ES22 SERIES, ES24 SERIES,  
ES26 SERIES, ES33 SERIES,  
ES34 SERIES, ES36 SERIES,  
ES44 SERIES, ES46 SERIES,  
ESCST SERIES



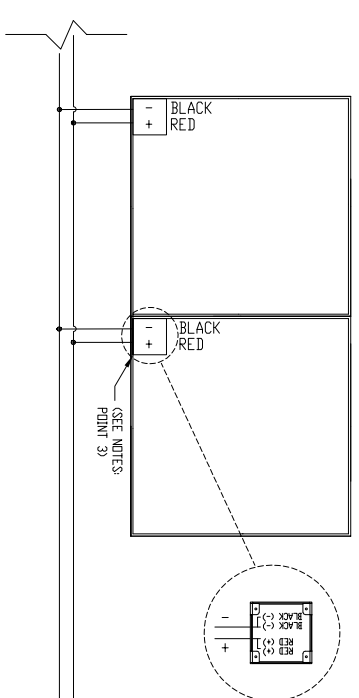
- NOTES:
1. ALL FIXTURES 24V DC ONLY.
  2. JUNCTION BOX ATTACHED TO EACH FIXTURE. WIRE SIZE IS AWG STRANDED.
  3. EP36,44,46,55 AND ES36,44,46 HAVE TWO SETS OF LEADS. ALWAYS CONNECT RED (+) TO RED (+) AND BLACK (-) TO BLACK (-).
  4. HLG-480H-24B AND HLG-600H-24B HAVE TWO SETS OF OUTPUT LEADS. MEANWELL RECOMMENDS NO MORE THAN 240 WATTS ON EACH SET OF CABLES FOR HLG-480H-24B AND 480 WATTS ON EACH SET OF CABLES FOR HLG-600H-24B.
  5. FOR ALL SINGLE FIXTURE EP22 AND ES22 INSTALLATIONS, DIMMER CONTROL IS FACTORY SET FOR OPTIMAL DIMMING.
  6. THIS WIRE/TERMINAL MAY BE GRAY ON OLDER PRODUCTS.



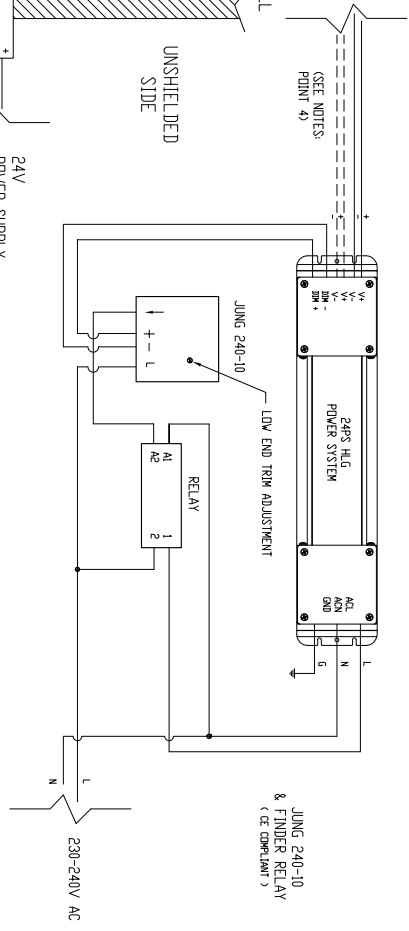
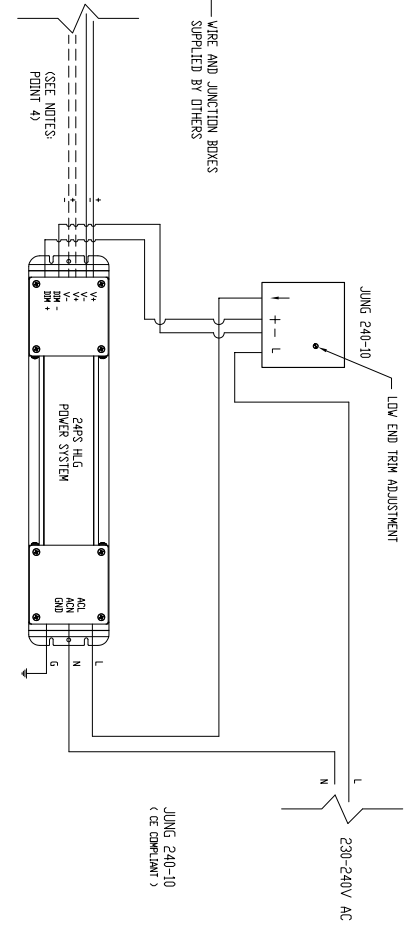
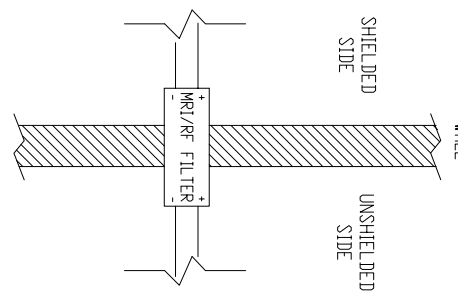
<b>Essey Factory</b>	DATE: 01/15/24	REV: 5
MANUFACTURED BY: ESSEY FACTORY	TITLE: ECDPLUS EP/ES 24V DC	
DESIGNED BY: J. B. BRETHERTON	DATE: 01/15/24	
DRAWN BY: S. A. BRETHERTON	DATE: 01/15/24	
CHECKED BY: J. BRETHERTON	DATE: 01/15/24	
PROJECT NO: 24V DC		

# EP AND ES SERIES FIXTURES WITH 24PS HLG POWER SYSTEM DIMMING OPTION

- ECOSLIM**  
 EP22 SERIES, EP24 SERIES,  
 EP26 SERIES, EP33 SERIES,  
 EP34 SERIES, EP36 SERIES,  
 EP44 SERIES, EP46 SERIES,  
 EP55 SERIES, EPCST SERIES
- ECOSLIM**  
 ES22 SERIES, ES24 SERIES,  
 ES26 SERIES, ES33 SERIES,  
 ES34 SERIES, ES36 SERIES,  
 ES44 SERIES, ES46 SERIES,  
 ESCST SERIES



- NOTES:**
1. ALL FIXTURES 24V DC ONLY.
  2. JUNCTION BOX ATTACHED TO EACH FIXTURE:  
 WIRE SIZE: 18 AWG STRANDED  
 WIRE COLORS:  
 RED (+) (POSITIVE)  
 BLACK (-) (NEGATIVE)
  3. EP36,44,46,55 AND ES36,44,46 HAVE TWO SETS OF LEADS. ALWAYS CONNECT RED (+) TO RED (+) AND BLACK (-) TO BLACK (-).
  4. HLG-480H-248 AND HLG-600H-248 HAVE TWO SETS OF OUTPUT LEADS. MEANWELL RECOMMENDS NO MORE THAN 240 WATTS ON EACH SET OF CABLES FOR HLG-480H-248 AND 480 WATTS ON EACH SET OF CABLES FOR HLG-600H-248.
  5. FOR ALL SINGLE FIXTURE, EP22 AND ES22 INSTALLATIONS, DIMMER CONTROL IS FACTORY SET FOR OPTIMAL DIMMING.

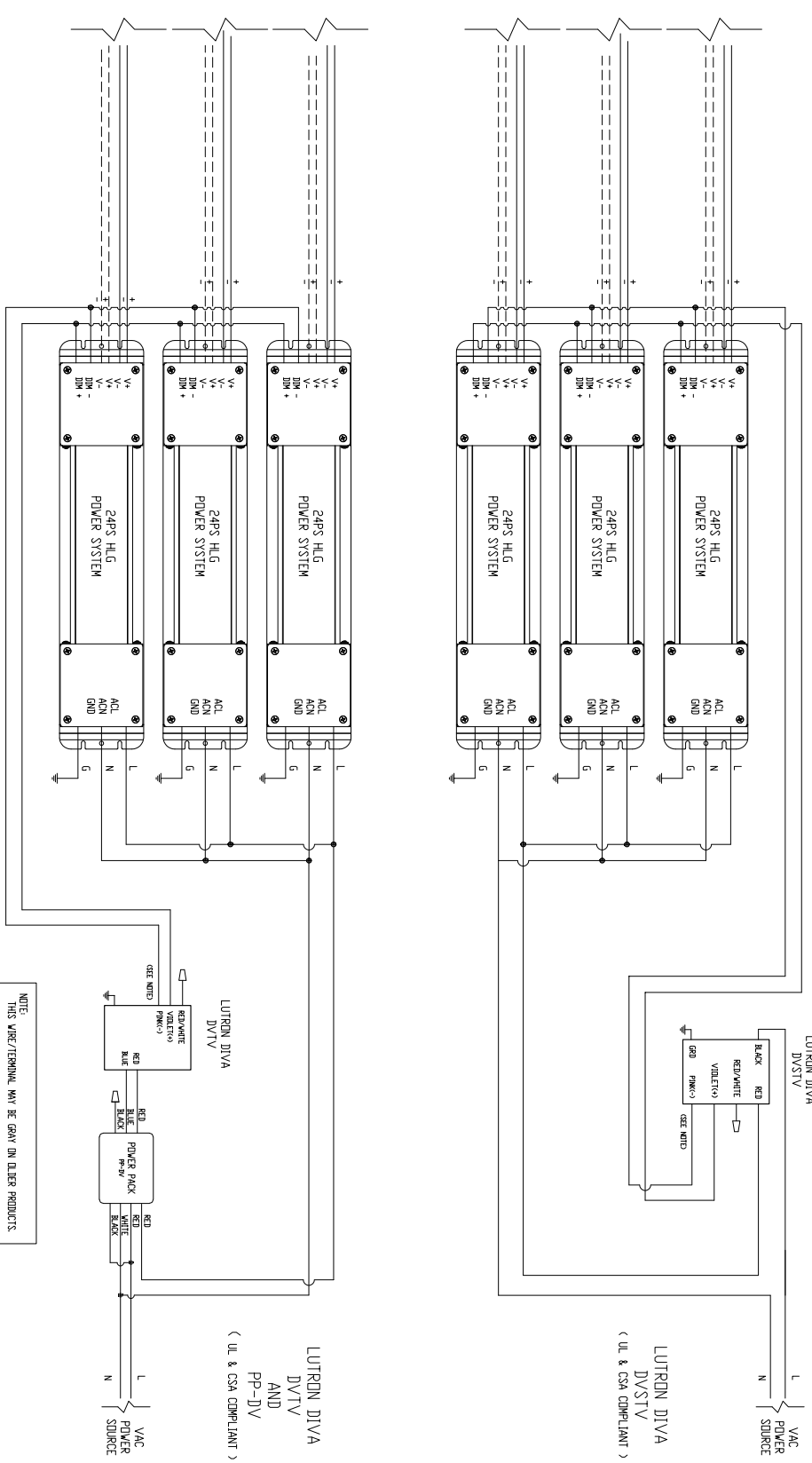


	DATE: 01/23 REV: F
	TITLE: EP/ES HLG POWER SYSTEM WITH DIMMING OPTION
DRAWN BY: BIA CHECKED BY: BIA SCALE: 1/16" = 1"	DATE: 04/25/2024
SKY FACTORY 10000 S. 100th St. Kent, WA 98032 TEL: 206.851.1234 FAX: 206.851.1235 WWW.SKYFACTORY.COM	SKY FACTORY 10000 S. 100th St. Kent, WA 98032 TEL: 206.851.1234 FAX: 206.851.1235 WWW.SKYFACTORY.COM

MULTIPLE 24PS HLG POWER SYSTEMS  
WITH DVSTV AND DVTV + PP-DV  
DIMMING OPTION

S  
K  
Y  
C  
E  
L  
L  
I  
N  
G

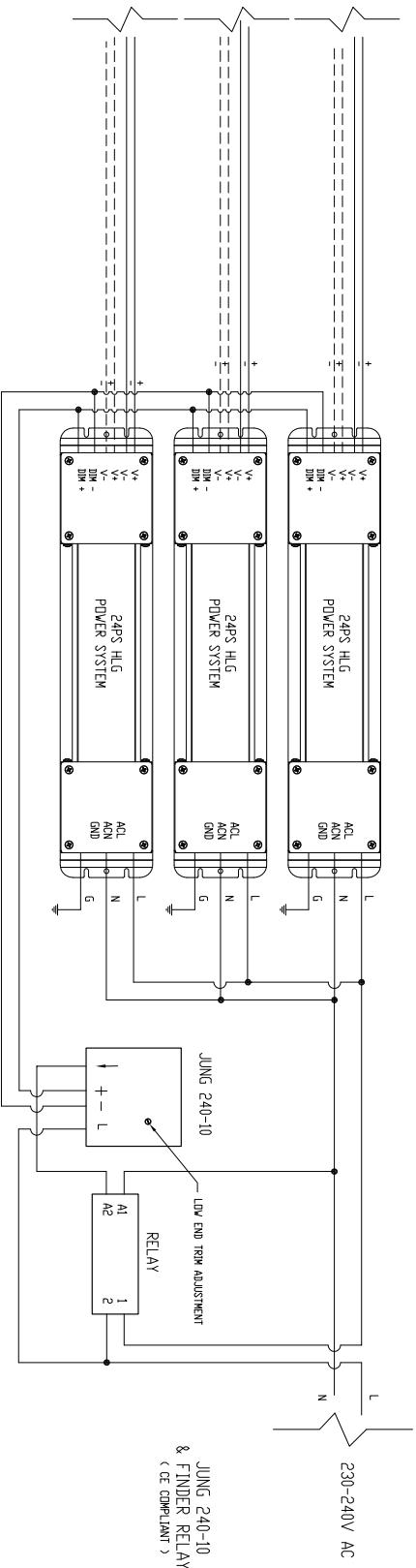
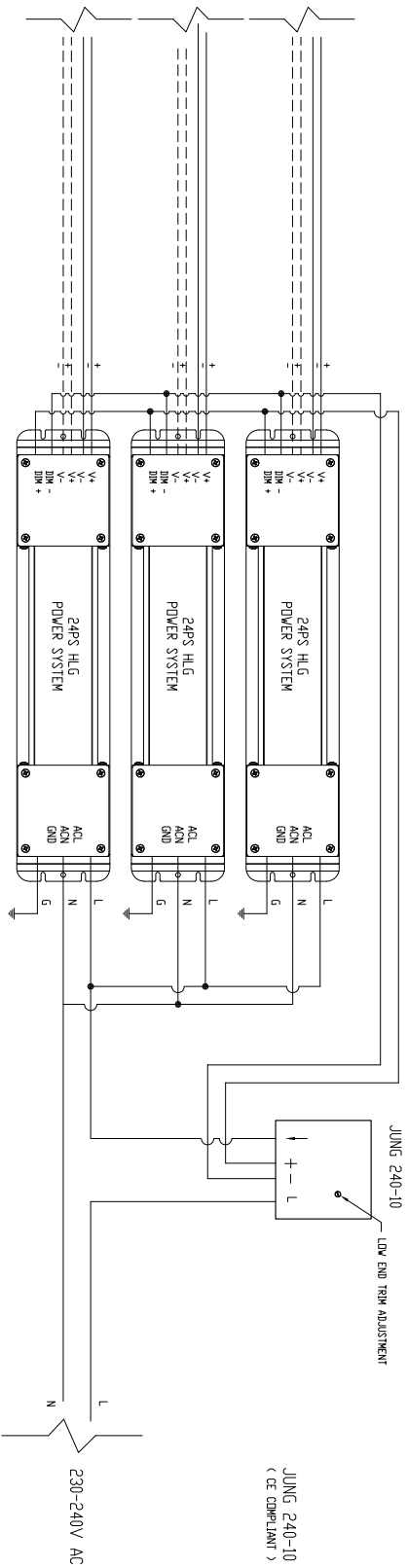
S  
K  
Y  
C  
E  
L  
L  
I  
N  
G



NOTE:  
THIS WIRE/TERMINAL MAY BE DIFF. ON OTHER PRODUCTS.

<b>Sky Factory</b>	
REGISTERED MANUFACTURER OF DIMMING SYSTEMS	
10000 WILSON AVENUE, SUITE 100, BOSTON, MA 02120	
TEL: 617-252-1000 FAX: 617-252-1001	
WWW.SKYFACTORY.COM	
DATE: 03/28/2023	DATE: 03/28/2023
DESIGNER: J. B. BROWN	SCALE: 1/8" = 1"
SHEET 1 OF 1	

MULTIPLE 24PS HLG POWER SYSTEMS  
WITH JUNG 240-10 AND JUNG 240-10 + FINDER RELAY  
DIMMING OPTION



S K K Y C E I L L I N G

S K K Y C E I L L I N G

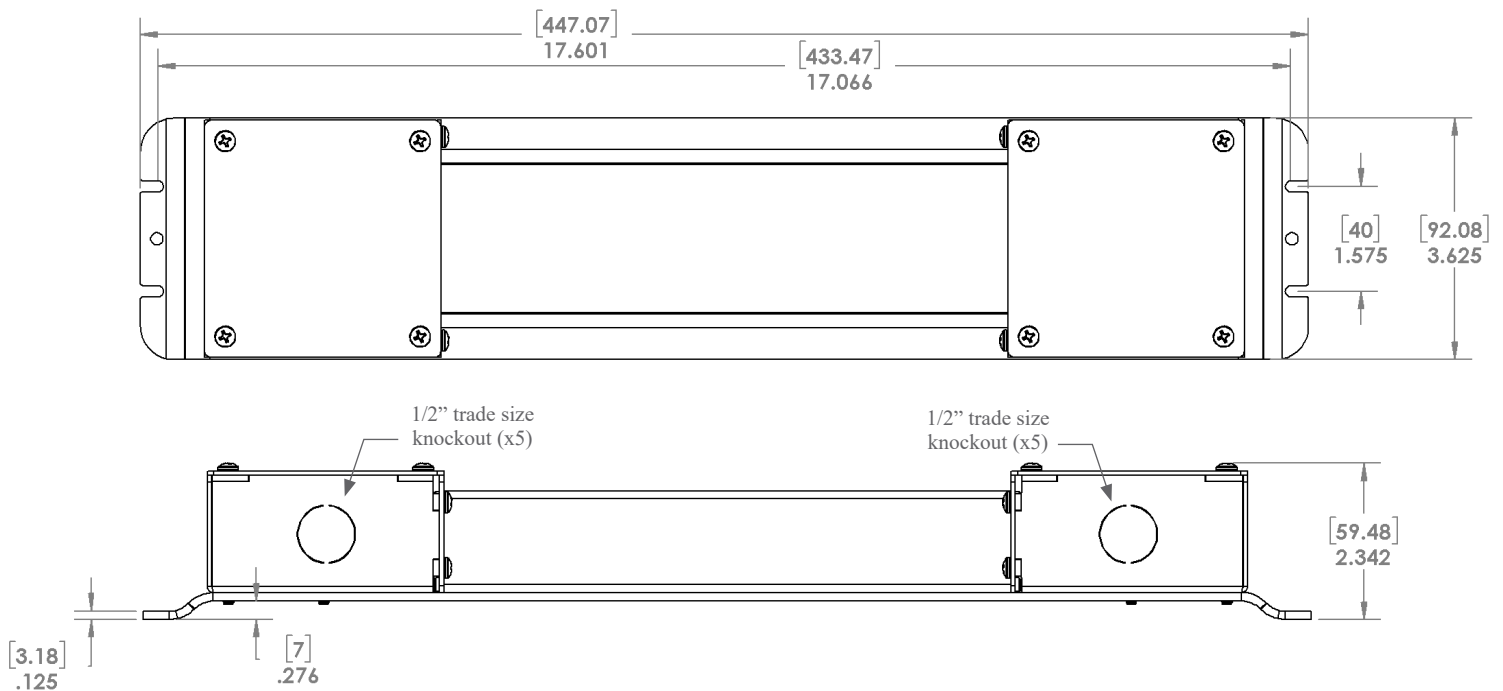
TITLE: ELO01447 DATE: 02/20/2012 SCALE: 1/1 SHEET: 1/1	REV: A DATE: 02/20/2012 BY: [Signature] CHECKED BY: [Signature]

## Sky Factory 24PS HLG Power System Dimensions and Weights:

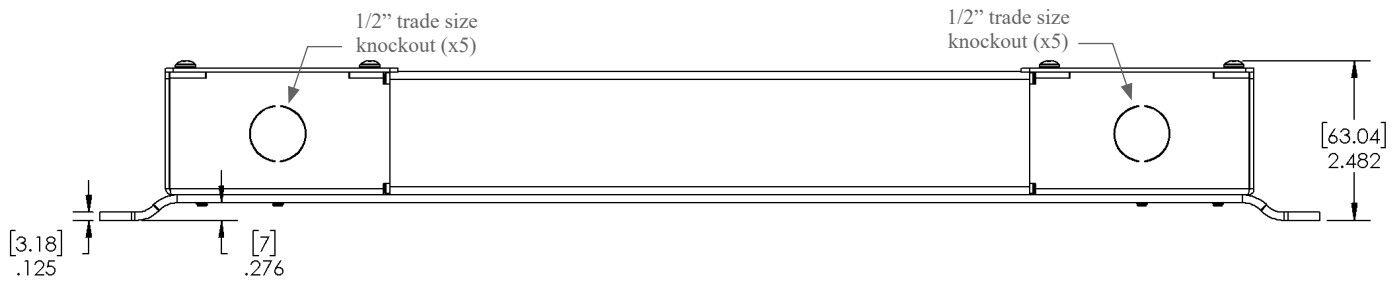
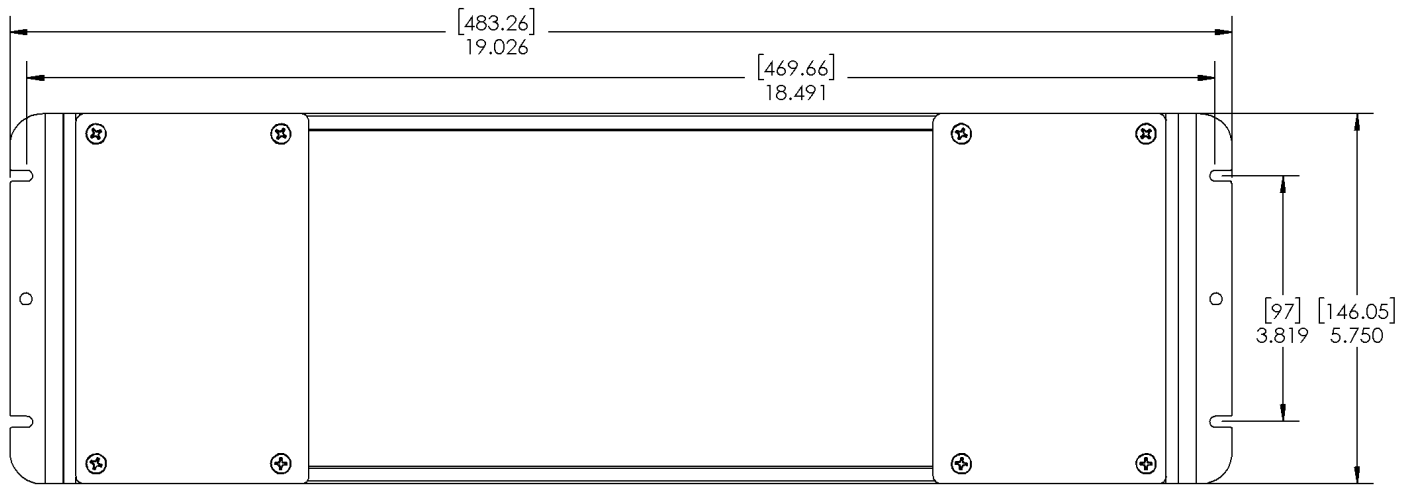
DIMENSIONS AND WEIGHTS				
	LENGTH	WIDTH	HEIGHT	WEIGHT
40 WATT 60 WATT	18 IN	3.7 IN	2.4 IN	3 LBS
	45.8 CM	9.4 CM	6.1 CM	1.4 KG
80 WATT 100 WATT 120 WATT 150 WATT 185 WATT 240 WATT	18 IN	3.7 IN	2.4 IN	4 LBS
	45.8 CM	9.4 CM	6.1 CM	1.8 KG
320 WATT	18 IN	3.7 IN	2.4 IN	6 LBS
	45.8 CM	9.4 CM	6.1 CM	2.7 KG
480 WATT	19.1 IN	5.8 IN	2.5 IN	8 LBS
	48.5 CM	14.8 CM	6.4 CM	3.6KG
600 WATT	19.1 IN	5.8 IN	2.5 IN	10 LBS
	48.5 CM	14.8 CM	6.4 CM	4.6 KG

- AC input wire sizes: 17 AWG on 40-600W
- DC output wire sizes: 17 AWG on 40-240W,480W; 14 AWG on 320W,600W
- Dimmer wire sizes: 20 AWG on 40-480W; 18 AWG on 600W

Mounting dimensions: 40w, 60w, 80w, 100w, 120w, 150w, 185w, 240w, 320w 24PS HLG Power Systems



Mounting dimensions: 480W, 600W 24PS HLG Power System





## Wire Sizing Chart:

Wire Sizing Chart is calculated for a recommended voltage drop of no more than 3%.

For amps per luminaire at 24V DC, see below. For custom sizes, see custom wiring diagram included (where applicable).

NOTE: Some larger installations have multiple branches. See custom wiring diagram (where applicable).

NOTE: Two largest power systems have two sets of leads. See "EcoPlus and EcoSlim Drawings and Charts (24PS HLG)", pgs 2-4.

We recommend dividing the load as evenly as possible to minimize voltage drop and maximize placement options.

Length	5	10	15	20	25	30	35	40	45	50
Amperage										
1	18	18	18	18	18	18	18	18	18	18
2	18	18	18	18	18	16	16	16	16	14
3	18	18	18	16	16	16	14	14	14	12
4	18	18	18	16	14	14	14	12	12	12
5	18	18	16	14	14	12	12	12	12	10
6	18	16	16	14	12	12	12	10	10	10
7	18	16	14	14	12	12	10	10	10	10
8	18	16	14	12	12	10	10	10	10	-
9	18	16	14	12	12	10	10	10	-	-
10	16	14	12	12	10	10	10	-	-	-
11	16	14	12	12	10	10	-	-	-	-
12	16	14	12	10	10	-	-	-	-	-
13	16	14	12	10	10	-	-	-	-	-
14	16	14	12	10	10	-	-	-	-	-
15	16	14	12	10	-	-	-	-	-	-
16	16	12	10	10	-	-	-	-	-	-
17	16	12	10	10	-	-	-	-	-	-
18	16	12	10	10	-	-	-	-	-	-
19	16	12	10	-	-	-	-	-	-	-
20	14	12	10	-	-	-	-	-	-	-

### Amps per Luminaire at 24V DC

Classic	Amps	Revelation	Amps	Revelation	Amps
EP22-CLA Series	0.96	EP24-RVN Series	1.96	ES24-RVN Series	1.53
EP24-CLA Series	1.96	EP26-RVN Series	2.88	ES26-RVN Series	2.38
EP33-CLA Series	2.16	EP33-RVN Series	2.16	ES33-RVN Series	1.78
		EP34-RVN Series	2.88	ES34-RVN Series	2.19
<b>Classic</b>	<b>Amps</b>	EP36-RVN Series	4.32	ES36-RVN Series	2.73
ES22-CLA Series	1.02	EP44-RVN Series	3.84	ES44-RVN Series	2.46
ES24-CLA Series	1.53	EP46-RVN Series	5.75	ES46-RVN Series	3.74
		EP55-RVN Series	6.0		