

## EcoPlus and EcoSlim Drawings and Charts (24PS HLG)

### Wiring Diagrams:

EL001199 - Without Dimmer

EL001454 - With Lutron Dimmers

EL001423 - With Jung Dimmers

EL001455 - Lutron Dimmers with Multiple Power Systems

EL001447 - Jung Dimmers with Multiple Power Systems

For:

EP22 Series = EP22, EP22M, EP22G

EP24 Series = EP24, EP24M, EP24G

EP26 Series = EP26, EP26M, EP26G

EP28 Series = EP28, EP28M, EP28G

EP34 Series = EP34, EP34M, EP34G

EP33 Series = EP33, EP33M, EP33G

EP36 Series = EP36, EP36M, EP36G

EP44 Series = EP44, EP44M, EP44G

EP46 Series = EP46, EP46M, EP46G

EP48 Series = EP48, EP48M, EP48G

EP55 Series = EP55, EP55M, EP55G

and EPCST Series

ES22 Series = ES22, ES22M, ES22G

ES24 Series = ES24, ES24M, ES24G

ES26 Series = ES26, ES26M, ES26G

ES33 Series = ES33, ES33M, ES33G

ES34 Series = ES34, ES34M, ES34G

ES36 Series = ES36, ES36M, ES36G

ES44 Series = ES44, ES44M, ES44G

ES46 Series = ES46, ES46M, ES46G

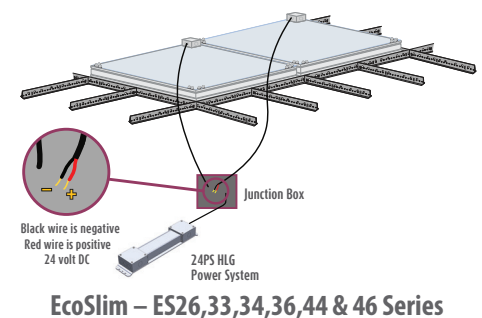
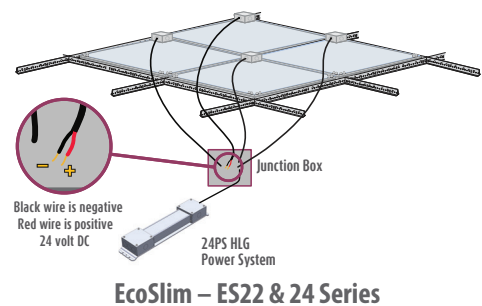
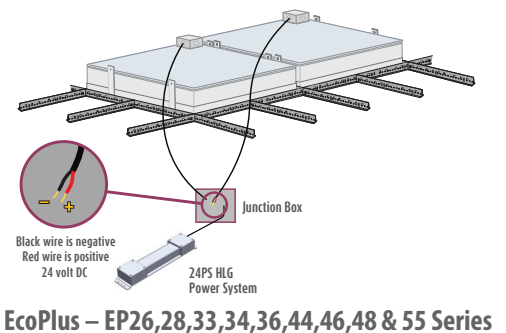
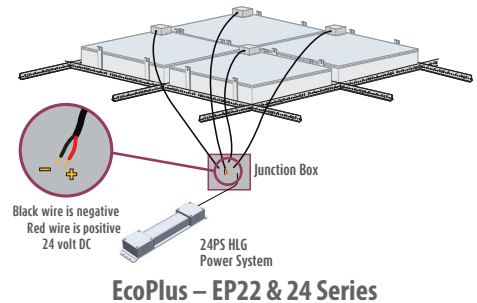
and EPCST Series

### Sky Factory 24PS HLG Power System Dimensions and Weights

### Wire Sizing Chart

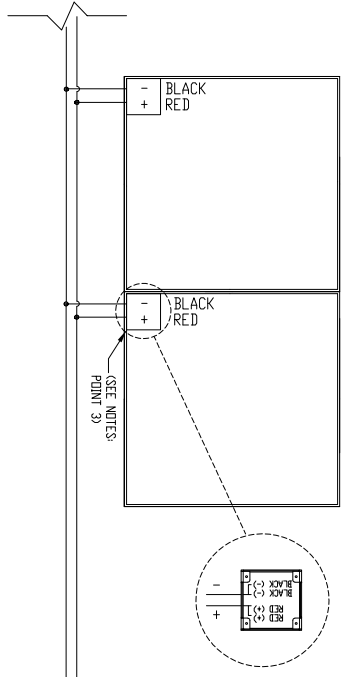
For technical support at any time during the installation, please call us **toll free at 866-759-3228**.

We want your installation to go as smoothly as possible. Thank you for choosing Sky Factory.

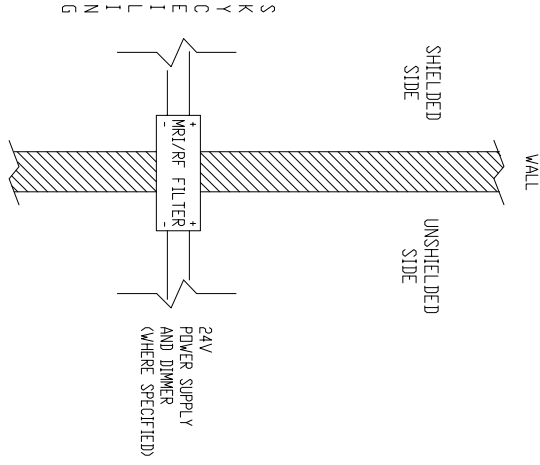
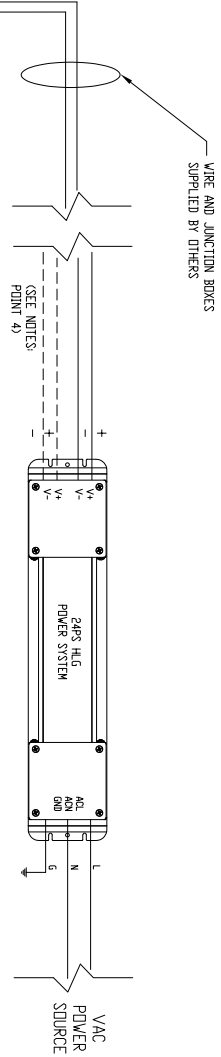


EP AND ES SERIES FIXTURES  
WITH 24PS HLG POWER SYSTEM  
NON-DIMMING OPTION

- ECOPULS  
EP22 SERIES, EP24 SERIES,  
EP26 SERIES, EP28 SERIES,  
EP33 SERIES, EP34 SERIES,  
EP36 SERIES, EP44 SERIES,  
EP46 SERIES, EP48 SERIES,  
EP55 SERIES, EPCST SERIES
- ECOSLIM  
ES22 SERIES, ES24 SERIES,  
ES26 SERIES, ES33 SERIES,  
ES34 SERIES, ES36 SERIES,  
ES44 SERIES, ES46 SERIES,  
ESCS1 SERIES



- NOTES:  
1. ALL FIXTURES 24V DC DMLY.  
2. JUNCTION BOX ATTACHED TO EACH FIXTURE:  
WIRE SIZE 18 AWG STRANDED  
WIRE COLORS:  
RED (+) (POSITIVE)  
BLACK (-) (NEGATIVE)
3. EP28,36,44,46,48,55 AND ES36,44,46 HAVE TWO SETS OF LEADS.  
ALWAYS CONNECT RED (+) TO RED (+) AND BLACK (-)  
TO BLACK (-).
4. HLG-480H-24B AND HLG-600H-24B HAVE TWO SETS  
OF OUTPUT LEADS. MEANWELL RECOMMENDS NO MORE THAN  
240 WATTS ON EACH SET OF CABLES FOR HLG-480H-24B  
480 WATTS ON EACH SET OF CABLES FOR HLG-600H-24B

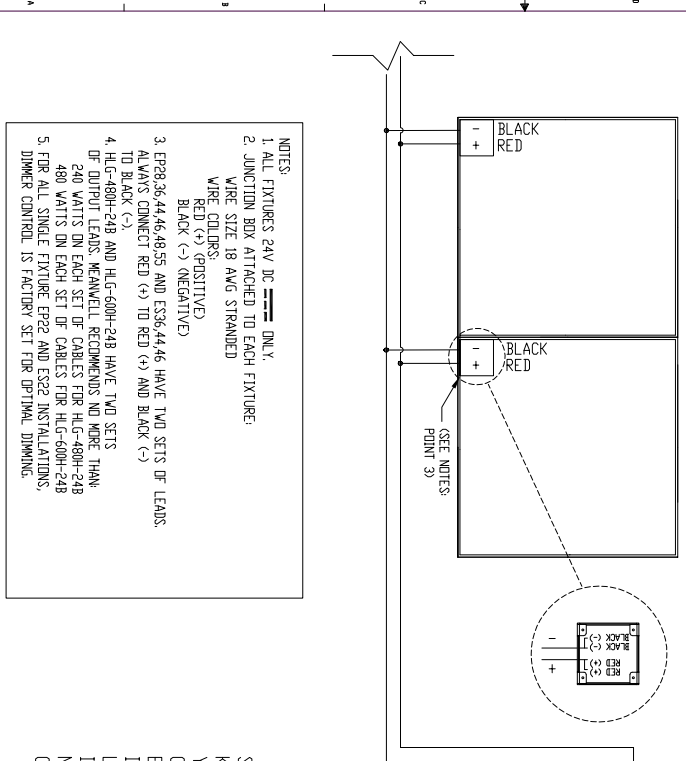


<b>Silly Factory</b>		DWG. NO.	E.001199
<small>                 REGISTERED AND INCORPORATED IN THE STATE OF CALIFORNIA                  10000 S. DEER CREEK ROAD, SUITE 100, SAN ANTONIO, TEXAS 78249                  TEL: 214-343-8300 FAX: 214-343-8301                  WWW.SILLYFACTORY.COM             </small>		TITLE	24PS HLG POWER SYSTEM
<small>                 30 DAY SCALE DRAWING             </small>		DATE	07/20/2024
<small>                 SCALE: 1/8" = 1'-0"             </small>		DESIGNED BY	SCOTT WILSON
<small>                 30 DAY SCALE DRAWING             </small>		CHECKED BY	SCOTT WILSON
<small>                 30 DAY SCALE DRAWING             </small>		DATE	07/20/2024
<small>                 30 DAY SCALE DRAWING             </small>		SCALE	1/8" = 1'-0"
<small>                 30 DAY SCALE DRAWING             </small>		PROJECT	WESTERN
<small>                 30 DAY SCALE DRAWING             </small>		SHEET	1 OF 1

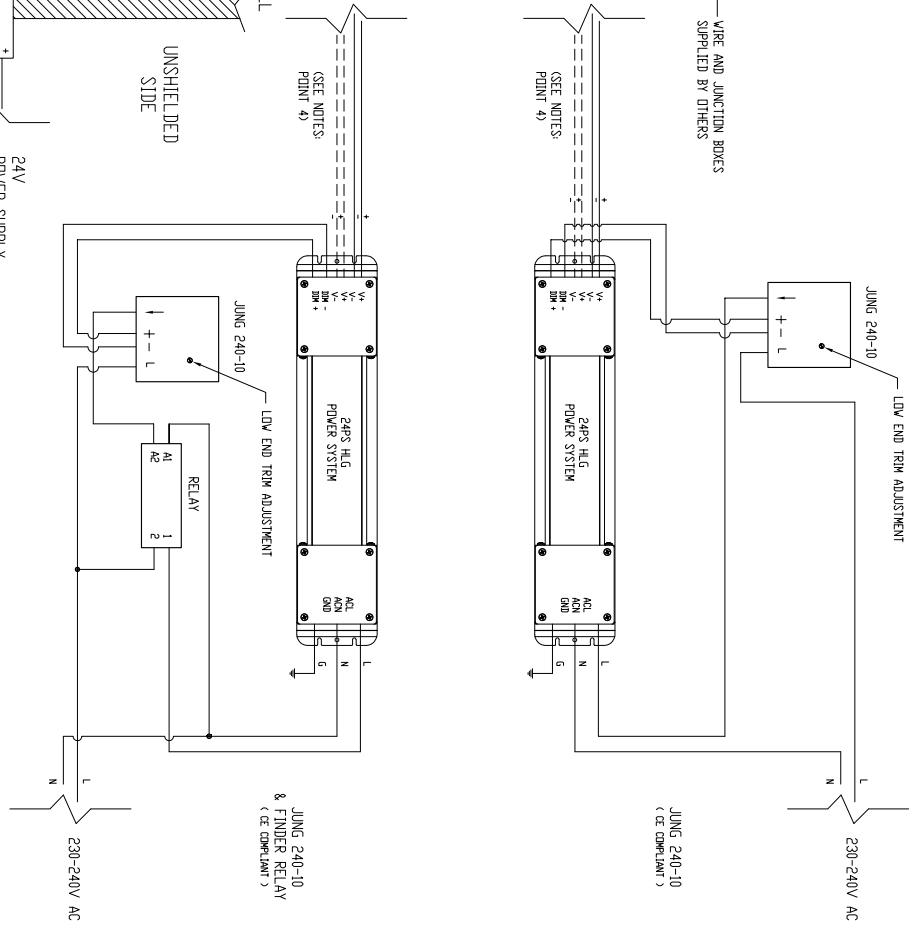
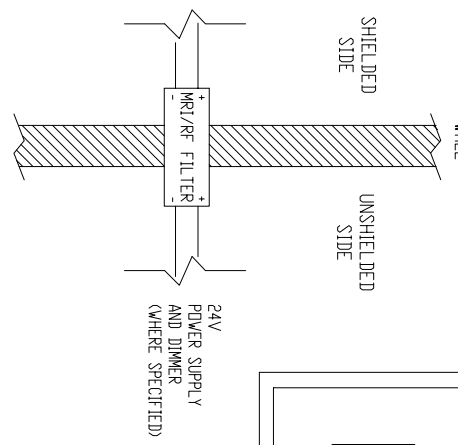


# EP AND ES SERIES FIXTURES WITH 24PS HLG POWER SYSTEM DIMMING OPTION

- ECPLUS**  
EP22 SERIES, EP24 SERIES,  
EP26 SERIES, EP28 SERIES,  
EP33 SERIES, EP34 SERIES,  
EP36 SERIES, EP44 SERIES,  
EP46 SERIES, EP48 SERIES,  
EP55 SERIES, EPCST SERIES
- ECOSLIM**  
ES22 SERIES, ES24 SERIES,  
ES26 SERIES, ES33 SERIES,  
ES34 SERIES, ES36 SERIES,  
ES44 SERIES, ES46 SERIES,  
ES48 SERIES, ESCST SERIES



- NOTES:**
1. ALL FIXTURES 24V DC ONLY.
  2. JUNCTION BOX ATTACHED TO EACH FIXTURE:  
WIRE SIZE: 18 AWG STRANDED  
WIRE COLORS:  
RED (+) (POSITIVE)  
BLACK (-) (NEGATIVE)
  3. EP28,36,44,46,48,55 AND ES36,44,46  
ALWAYS CONNECT RED (+) TO RED (+) AND BLACK (-)  
TO BLACK (-).
  4. HLG-480H-248 AND HLG-600H-248 HAVE TWO SETS  
OF OUTPUT LEADS. MEANWILE, RECOMMENDS NO MORE THAN  
240 WATTS ON EACH SET OF CABLES FOR HLG-480H-248  
480 WATTS ON EACH SET OF CABLES FOR HLG-600H-248  
5. FOR ALL SINGLE FIXTURE EP22 AND ES22 INSTALLATIONS,  
DIMMER CONTROL IS FACTORY SET FOR OPTIMAL DIMMING.

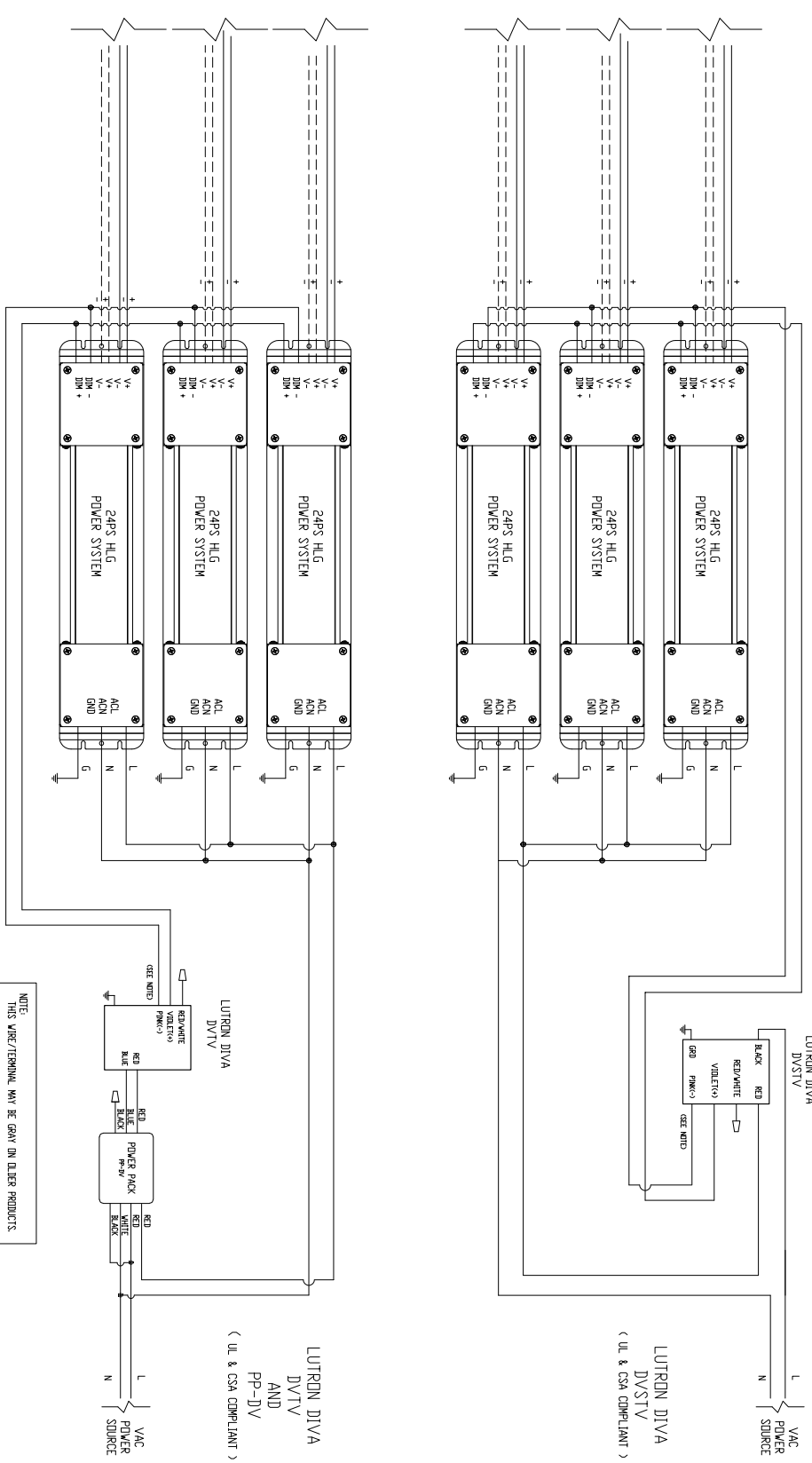


	DATE: 01/23	REV: G
	TITLE: CONTROL BOARD FOR EP AND ES SERIES WITH DIMMING OPTION	
DRAWN BY: BIA CHECKED BY: BIA DATE: 07/25/2024	SCALE: 1/1 (AS SHOWN)	PROJECT: 17-1001-01

MULTIPLE 24PS HLG POWER SYSTEMS  
WITH DVSTV AND DVTV + PP-DV  
DIMMING OPTION

S  
K  
Y  
C  
E  
L  
I  
N  
G

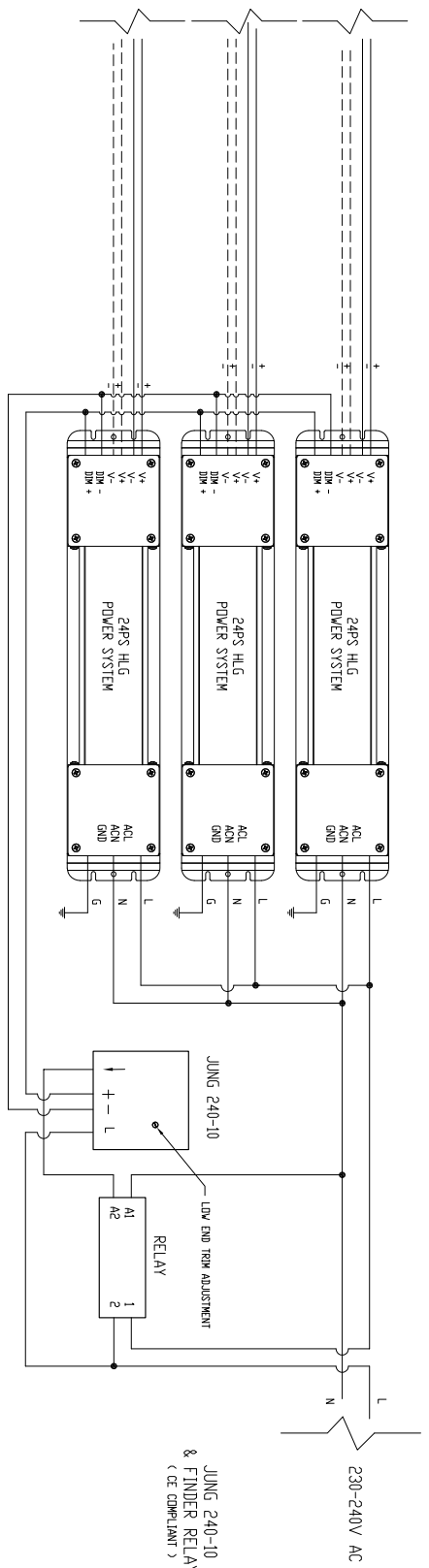
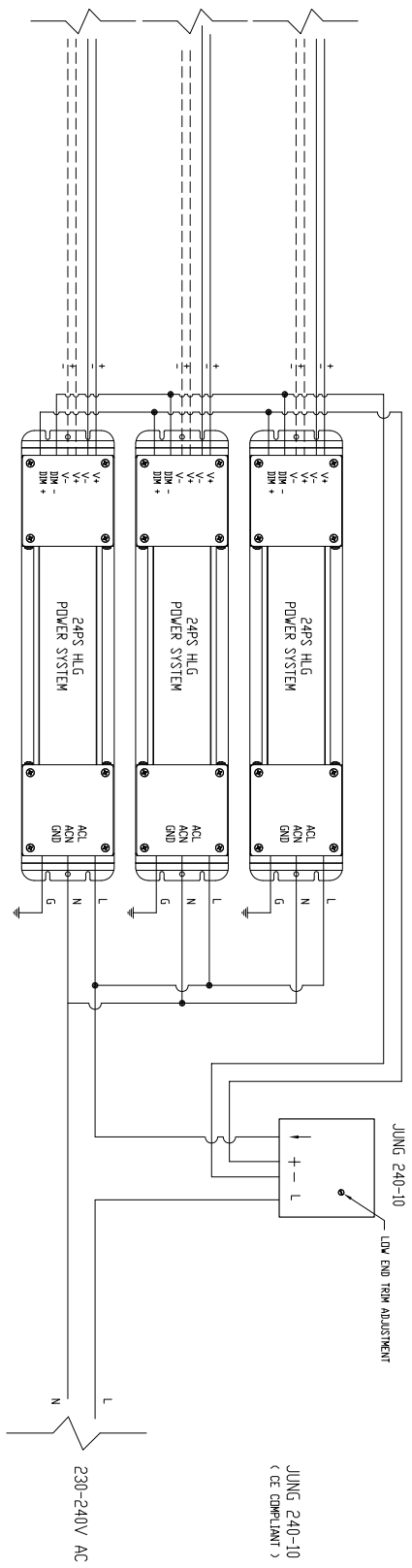
S  
K  
Y  
C  
E  
L  
I  
N  
G



NOTE:  
THIS WIRE/TERMINAL MAY BE DIFF. ON OTHER PRODUCTS.

<b>Sky Factory</b>	
REGISTERED MANUFACTURER OF DIMMING SYSTEMS	
10000 WILSON AVENUE, SUITE 100, BOSTON, MA 02120	
TEL: 617-252-8800 FAX: 617-252-8801	
WWW.SKYFACTORY.COM	
SKY NO	REV
E1001455	B
TITLE: MULTIPLE 24PS HLG POWER SYSTEMS WITH DVSTV AND DVTV + PP-DV DIMMING OPTION	
ISSUED BY: J. B. BROWN	DATE: 03/28/2023
DESIGNED BY: J. B. BROWN	SCALE: NOT TO SCALE
SHEET 1 OF 1	

MULTIPLE 24PS HLG POWER SYSTEMS  
WITH JUNG 240-10 AND JUNG 240-10 + FINDER RELAY  
DIMMING OPTION



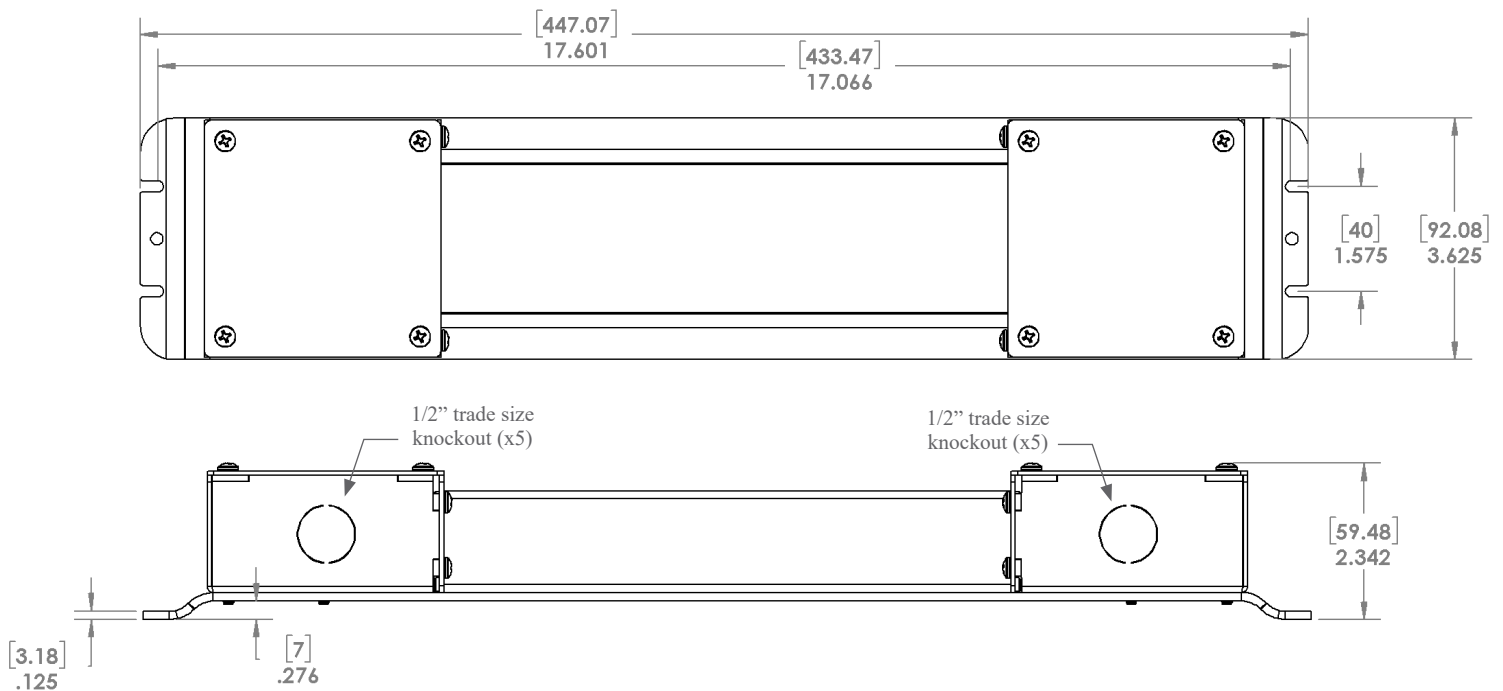
<b>Schneider Electric</b>		REV	A
TITLE: ELO01447 DATE: 02/20/2012 SCALE: 1/1		REV	A
DRAWN BY: [Name] CHECKED BY: [Name] APPROVED BY: [Name]		REV	A
PROJECT: [Project Name] SHEET: [Sheet Number]		REV	A

## Sky Factory 24PS HLG Power System Dimensions and Weights:

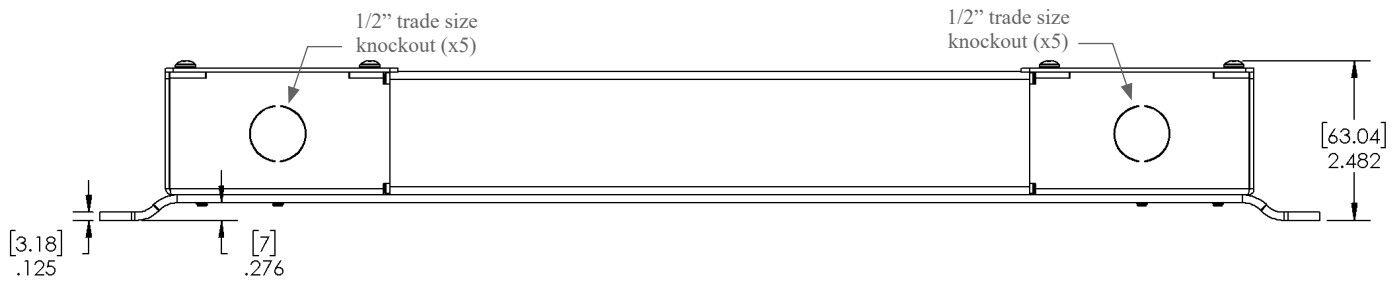
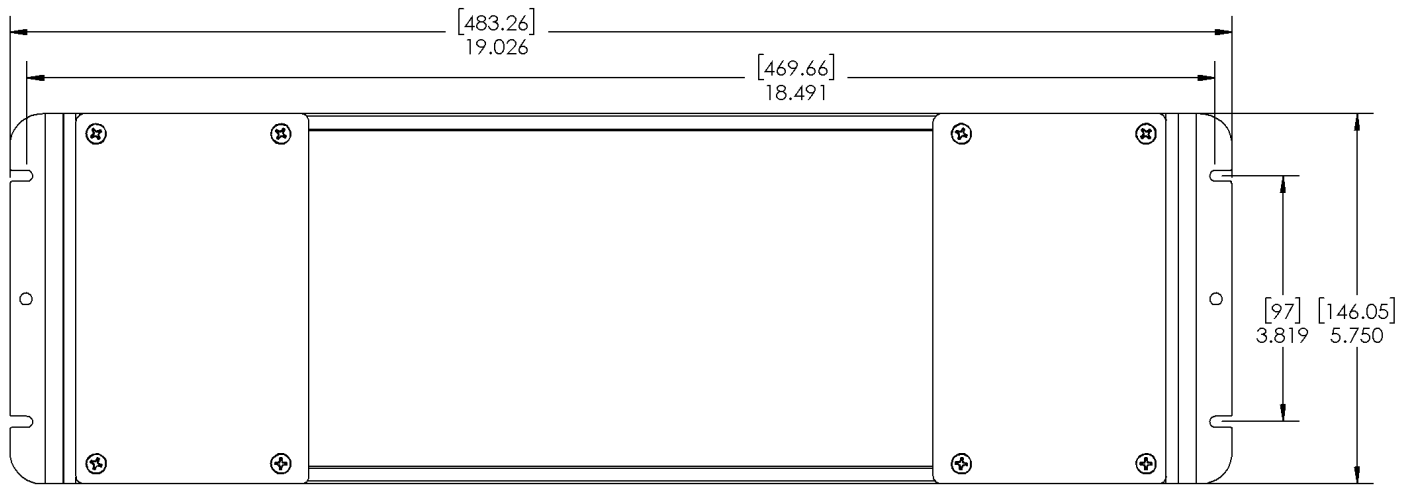
DIMENSIONS AND WEIGHTS				
	LENGTH	WIDTH	HEIGHT	WEIGHT
40 WATT 60 WATT	18 IN	3.7 IN	2.4 IN	3 LBS
	45.8 CM	9.4 CM	6.1 CM	1.4 KG
80 WATT 100 WATT 120 WATT 150 WATT 185 WATT 240 WATT	18 IN	3.7 IN	2.4 IN	4 LBS
	45.8 CM	9.4 CM	6.1 CM	1.8 KG
320 WATT	18 IN	3.7 IN	2.4 IN	6 LBS
	45.8 CM	9.4 CM	6.1 CM	2.7 KG
480 WATT	19.1 IN	5.8 IN	2.5 IN	8 LBS
	48.5 CM	14.8 CM	6.4 CM	3.6KG
600 WATT	19.1 IN	5.8 IN	2.5 IN	10 LBS
	48.5 CM	14.8 CM	6.4 CM	4.6 KG

- AC input wire sizes: 17 AWG on 40-600W
- DC output wire sizes: 17 AWG on 40-240W,480W; 14 AWG on 320W,600W
- Dimmer wire sizes: 20 AWG on 40-480W; 18 AWG on 600W

Mounting dimensions: 40w, 60w, 80w, 100w, 120w, 150w, 185w, 240w, 320w 24PS HLG Power Systems



Mounting dimensions: 480W, 600W 24PS HLG Power System





## Wire Sizing Chart:

Wire Sizing Chart is calculated for a recommended voltage drop of no more than 3%.

For amps per luminaire at 24V DC, see below. For custom sizes, see custom wiring diagram included (where applicable).

NOTE: Some larger installations have multiple branches. See custom wiring diagram (where applicable).

NOTE: Two largest power systems have two sets of leads. See "EcoPlus and EcoSlim Drawings and Charts (24PS HLG)", pgs 2-4.

We recommend dividing the load as evenly as possible to minimize voltage drop and maximize placement options.

Length (ft)	5	10	15	20	25	30	35	40	45	50
<b>Amperage (24V DC)</b>										
1	18	18	18	18	18	18	18	18	18	18
2	18	18	18	18	18	16	16	16	16	14
3	18	18	18	16	16	16	14	14	14	12
4	18	18	18	16	14	14	14	12	12	12
5	18	18	16	14	14	12	12	12	12	10
6	18	16	16	14	12	12	12	10	10	10
7	18	16	14	14	12	12	10	10	10	10
8	18	16	14	12	12	10	10	10	10	-
9	18	16	14	12	12	10	10	10	-	-
10	16	14	12	12	10	10	10	-	-	-
11	16	14	12	12	10	10	-	-	-	-
12	16	14	12	10	10	-	-	-	-	-
13	16	14	12	10	10	-	-	-	-	-
14	16	14	12	10	10	-	-	-	-	-
15	16	14	12	10	-	-	-	-	-	-
16	16	12	10	10	-	-	-	-	-	-
17	16	12	10	10	-	-	-	-	-	-
18	16	12	10	10	-	-	-	-	-	-
19	16	12	10	-	-	-	-	-	-	-
20	14	12	10	-	-	-	-	-	-	-

### Amps per Luminaire at 24V DC

<b>Classic</b>	<b>Amps</b>	<b>Revelation</b>	<b>Amps</b>	<b>Revelation</b>	<b>Amps</b>
EP22-CLA Series	0.96	EP24-RVN Series	1.96	ES24-RVN Series	1.53
EP24-CLA Series	1.96	EP26-RVN Series	2.88	ES26-RVN Series	2.38
EP33-CLA Series	2.16	EP28-RVN Series	3.83	ES33-RVN Series	1.78
		EP33-RVN Series	2.16	ES34-RVN Series	2.19
<b>Classic</b>	<b>Amps</b>	EP34-RVN Series	2.88	ES36-RVN Series	2.73
ES22-CLA Series	1.02	EP36-RVN Series	4.32	ES44-RVN Series	2.46
ES24-CLA Series	1.53	EP44-RVN Series	3.84	ES46-RVN Series	3.74
		EP46-RVN Series	5.75		
		EP48-RVN Series	7.67		
		EP55-RVN Series	6.0		