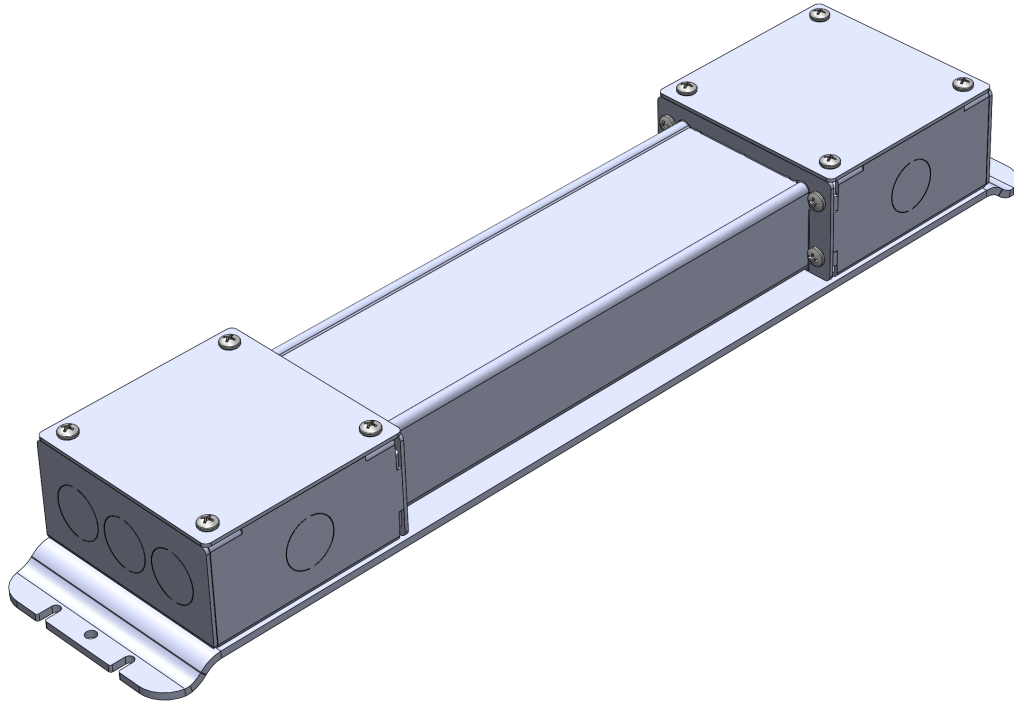




## Sky Factory 24PS HLG Power System Installation



### UL/CSA Listed and CE Compliant:

24PS HLG Power System when used with

ES22 Series, ES24 Series, ES26 Series, ES33 Series, ES34 Series, ES36 Series, ES44 Series, ES46 Series, ESCST Series,  
EP22 Series, EP24 Series, EP26 Series, EP28 Series, EP33 Series, EP34 Series, EP36 Series, EP44 Series, EP46 Series, EP48 Series,  
EP55 Series and EPCST Series fixtures fully certified by Intertek Group plc

For technical support at any time during the installation, please call us **toll free at 866-759-3228**.  
We want your installation to go as smoothly as possible. Thank you for choosing Sky Factory.

## Specifications and Features:

- Input Voltage: 90 – 305 V AC, 47-63 Hz, Auto-ranging
- Output Voltage: 24 V DC
- Max. Watts (Useable): 600 Watts per power system
- Available sizes: 40W, 60W, 80W, 100W, 120W, 150W, 185W, 240W, 320W, 480W, 600W
- Power System aluminum enclosure
  - Mounted on baseplate with junction box on input and output ends
- AC input wire sizes: 17 AWG on 40-600W
- DC output wire sizes: 17 AWG on 40-240W,480W; 14 AWG on 320W,600W
- Dimmer wire sizes: 20 AWG on 40-480W; 18 AWG on 600W
- HLG-480H-24B and HLG-600H-24B have two sets of output leads. Meanwell recommends loading no more than:
  - 240 Watts on each set of cables for HLG-480H-24B
  - 480 Watts on each set of cables for HLG-600H-24B
- Power system must have 2" (5cm) clearance on top and all four sides for air flow. A 4-6" (10-15cm) clearance must be kept when the adjacent device is a heat source.
- Power system must be mounted in dry locations. Wall mount recommended.
- Power system is certified for Sky Factory EcoSlim and EcoPlus fixtures only.
- RF filter, if used, is not provided by Sky Factory. One filter per power system required.

- Dimming:

UL & CSA Listed –

Lutron Diva DVSTV 0-10V dimmer/switch

Input: auto-ranging 120 - 277V AC

Lutron Diva DVTV 0 - 10V dimmer/switch

and PP-DV power pack

Input: auto-ranging 120 - 277V AC

Mounts in standard single-gang electrical box

White standard, other colors available upon request

CE Compliant –

Jung 240-10 dimmer/switch  
and external relay where specified

Input: 230 - 240V AC

Mounts in appliance box to DIN 49073

- For Classic and Revelation EcoSlim lighting systems, see  
 “Classic w/ EcoSlim Electrical Instructions (24PS HLG)”, or  
 “Revelation w/ EcoSlim Electrical Instructions (24PS HLG)”
- For Classic and Revelation EcoPlus lighting systems, see  
 “Classic w/ EcoPlus Electrical Instructions (24PS HLG)”, or  
 “Revelation w/ EcoPlus Electrical Instructions (24PS HLG)”
- For Aperture, Infinity, Circle, Ellipse and other Custom EcoPlus lighting systems, see  
 “Custom EcoPlus Electrical Instructions (24PS HLG)” and  
 installation specific wiring diagrams EL1-2 for number of circuits and number of fixtures per circuit

## Schematics:

For EcoPlus and EcoSlim wiring diagrams, see:

EcoPlus and EcoSlim Drawings and Charts (24PS HLG)

For Aperture, Infinity, Circle, Ellipse and other Custom EcoPlus wiring diagrams, see:

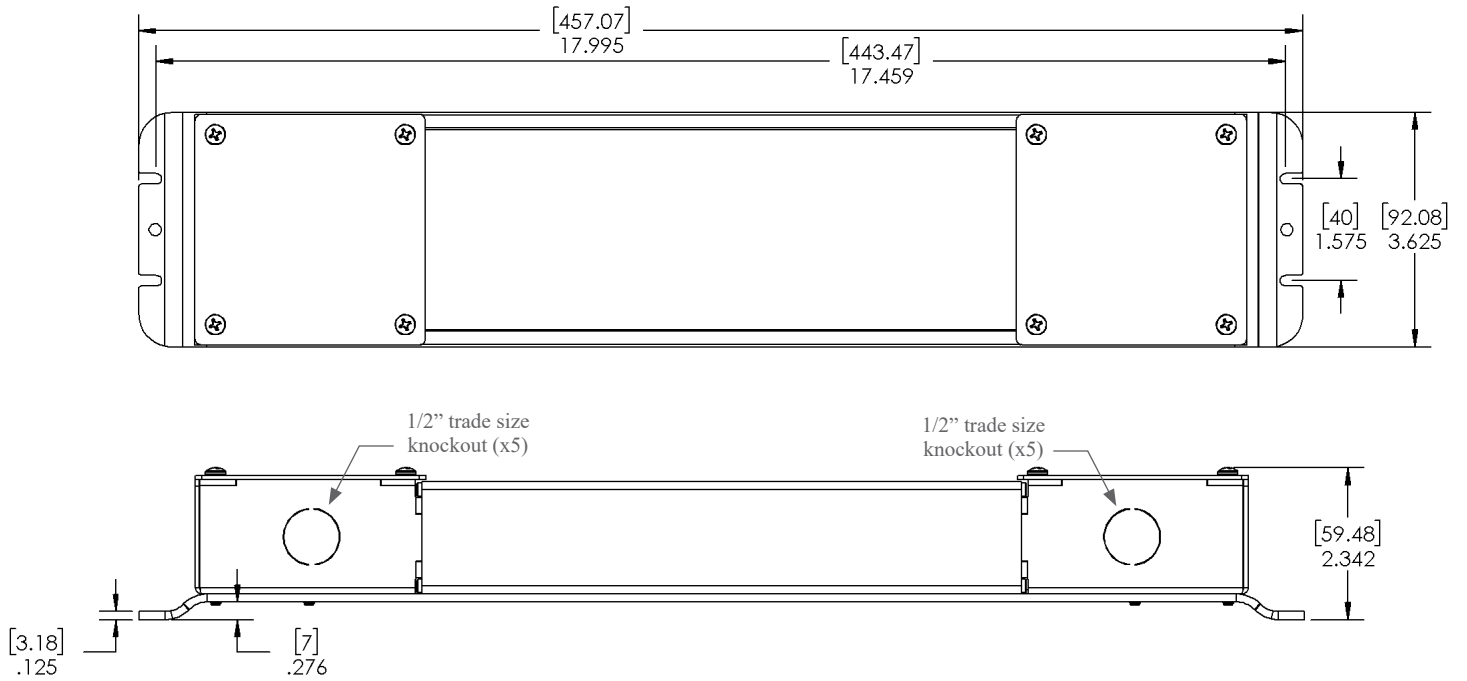
“Custom EcoPlus Electrical Instructions (24PS HLG)” and

installation specific wiring diagrams EL1-2 for number of circuits and number of fixtures per circuit

## Dimensions and Weights:

DIMENSIONS AND WEIGHTS				
	LENGTH	WIDTH	HEIGHT	WEIGHT
40 WATT 60 WATT	18 IN 45.8 CM	3.7 IN 9.4 CM	2.4 IN 6.1 CM	3 LBS 1.4 KG
80 WATT 100 WATT 120 WATT 150 WATT 185 WATT 240 WATT	18 IN 45.8 CM	3.7 IN 9.4 CM	2.4 IN 6.1 CM	4 LBS 1.8 KG
320 WATT	18 IN 45.8 CM	3.7 IN 9.4 CM	2.4 IN 6.1 CM	6 LBS 2.7 KG
480 WATT	19.1 IN 48.5 CM	5.8 IN 14.8 CM	2.5 IN 6.4 CM	8 LBS 3.6KG
600 WATT	19.1 IN 48.5 CM	5.8 IN 14.8 CM	2.5 IN 6.4 CM	10 LBS 4.6 KG

Mounting dimensions: 40W, 60W, 80W, 100W, 120W, 150W, 185W, 240W, 320W 24PS HLG Power Systems



Mounting dimensions: 480W, 600W 24PS HLG Power System

