

## EcoPlus and EcoSlim Drawings and Charts (24PS HLG)

### Wiring Diagrams:

EL001199 - Without Dimmer

EL001454 - With Lutron Dimmers

EL001423 - With Jung Dimmers

EL001455 - Lutron Dimmers with Multiple Power Systems

EL001447 - Jung Dimmers with Multiple Power Systems

For:

EP22 Series = EP22, EP22M, EP22G

EP24 Series = EP24, EP24M, EP24G

EP26 Series = EP26, EP26M, EP26G

EP34 Series = EP34, EP34M, EP34G

EP33 Series = EP33, EP33M, EP33G

EP36 Series = EP36, EP36M, EP36G

EP44 Series = EP44, EP44M, EP44G

EP46 Series = EP46, EP46M, EP46G

and EPCST Series

ES22 Series = ES22, ES22M, ES22G

ES24 Series = ES24, ES24M, ES24G

ES26 Series = ES26, ES26M, ES26G

ES33 Series = ES33, ES33M, ES33G

ES34 Series = ES34, ES34M, ES34G

ES36 Series = ES36, ES36M, ES36G

ES44 Series = ES44, ES44M, ES44G

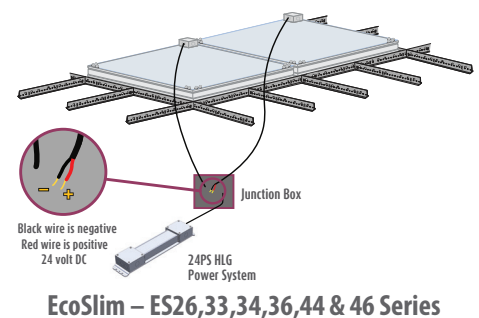
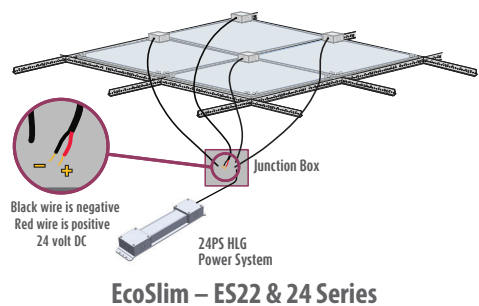
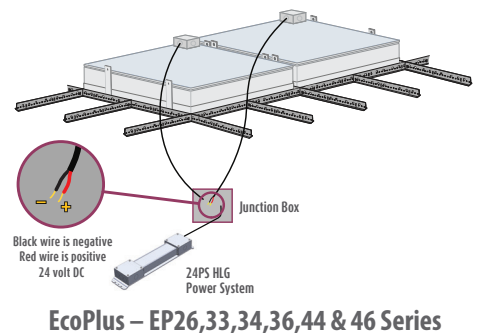
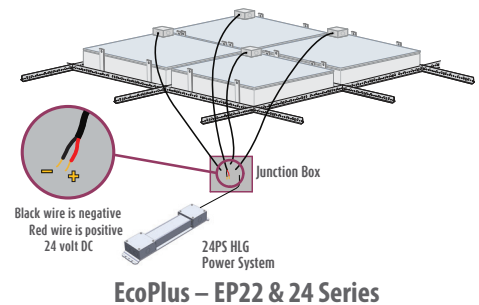
ES46 Series = ES46, ES46M, ES46G

and EPCST Series

### Sky Factory 24PS HLG Power System Dimensions and Weights

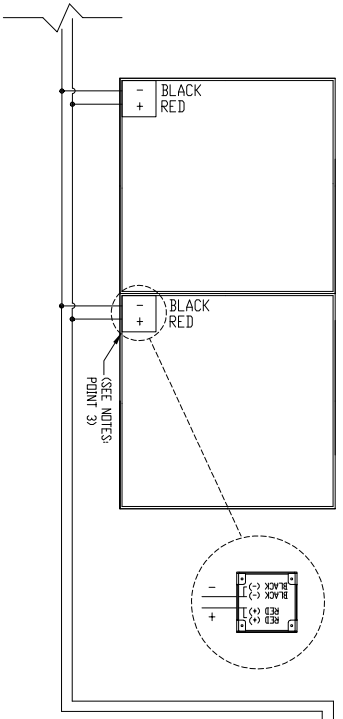
For technical support at any time during the installation, please call us **toll free at 866-759-3228**.

We want your installation to go as smoothly as possible. Thank you for choosing Sky Factory.

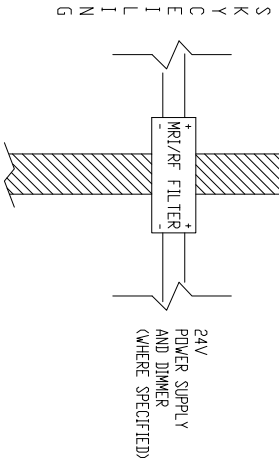
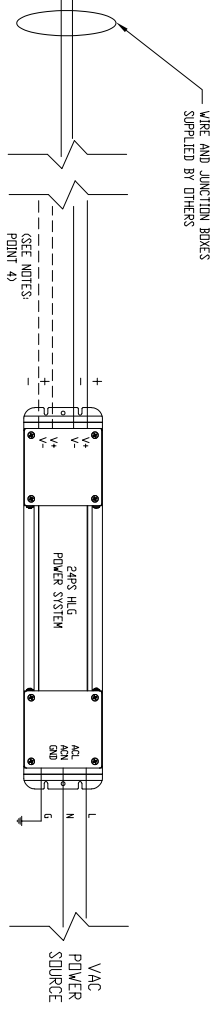


EP AND ES SERIES FIXTURES  
WITH 24PS HLG POWER SYSTEM  
NON-DIMMING OPTION

- ECPPLUS**  
EP22 SERIES, EP24 SERIES,  
EP26 SERIES, EP33 SERIES,  
EP34 SERIES, EP36 SERIES,  
EP44 SERIES, EP46 SERIES,  
EPCST SERIES
- ECDUSLM**  
ES22 SERIES, ES24 SERIES,  
ES26 SERIES, ES33 SERIES,  
ES34 SERIES, ES36 SERIES,  
ES44 SERIES, ES46 SERIES,  
ESCST SERIES



- NOTES:**  
1. ALL FIXTURES 24V DC ONLY.  
2. JUNCTION BOX ATTACHED TO EACH FIXTURE:  
WIRE SIZE 18 AWG STRANDED  
WIRE COLORS:  
RED (+) (POSITIVE)  
BLACK (-) (NEGATIVE)  
3. EP36,44,46 AND ES36,44,46 HAVE TWO SETS OF LEADS.  
ALWAYS CONNECT RED (+) TO RED (+) AND BLACK (-) TO BLACK (-)  
4. HLG-480H-24B AND HLG-600H-24B HAVE TWO SETS OF OUTPUT LEADS. MEANWELL RECOMMENDS NO MORE THAN 240 WATTS ON EACH SET OF CABLES FOR HLG-480H-24B AND 480 WATTS ON EACH SET OF CABLES FOR HLG-600H-24B

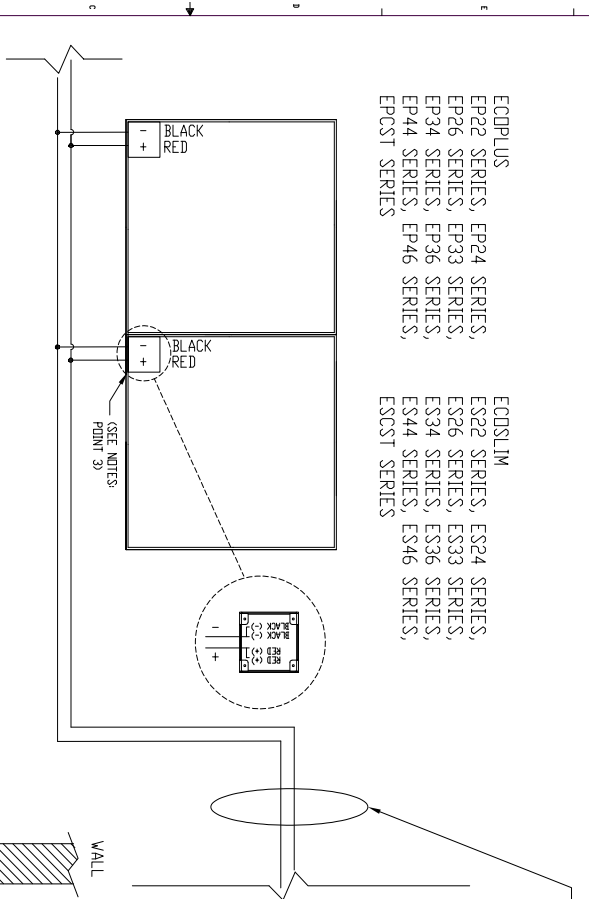


<b>Sky Factory</b>		MFG. NO. E.L001199		REV. L	
24PS HLG POWER SYSTEM		TITLE		DATE 04/10/2023	
24PS HLG POWER SYSTEM		DRAWN BY: EDA		DATE 04/10/2023	
24PS HLG POWER SYSTEM		CHECKED BY: J. BROWN		DATE 04/10/2023	
24PS HLG POWER SYSTEM		DESIGNED BY: J. BROWN		DATE 04/10/2023	

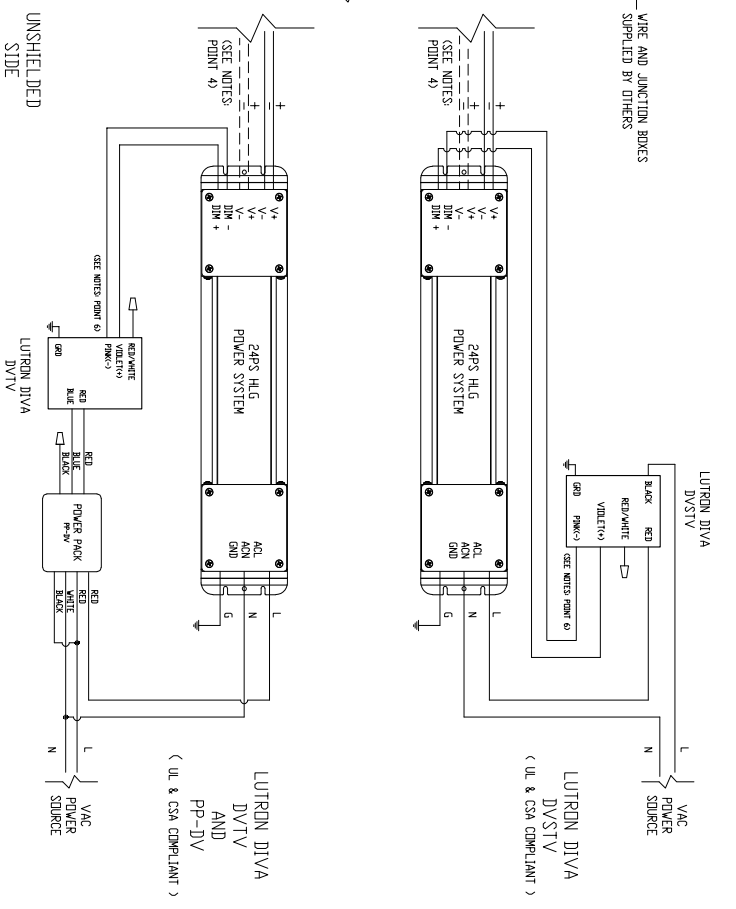
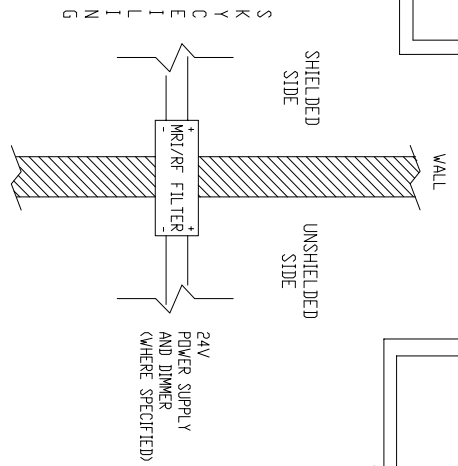
**EP AND ES SERIES FIXTURES  
WITH 24PS HLG POWER SYSTEM  
DIMMING OPTION**

**ECODPLUS**  
EP22 SERIES, EP24 SERIES,  
EP26 SERIES, EP33 SERIES,  
EP34 SERIES, EP36 SERIES,  
EP44 SERIES, EP46 SERIES,  
EPCST SERIES

**ECOSLIM**  
ES22 SERIES, ES24 SERIES,  
ES26 SERIES, ES33 SERIES,  
ES34 SERIES, ES36 SERIES,  
ES44 SERIES, ES46 SERIES,  
ESCST SERIES



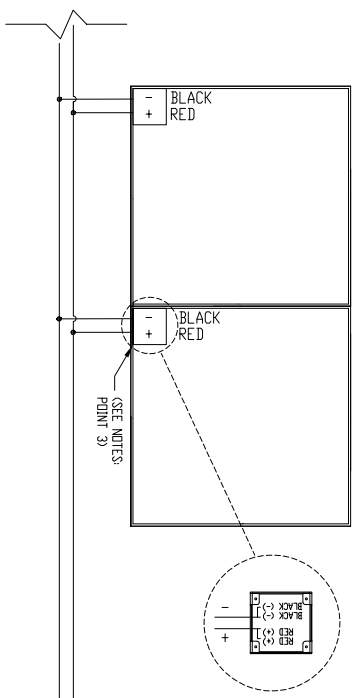
- NOTES:**
1. ALL FIXTURES 24V DC ONLY.
  2. JUNCTION BOX ATTACHED TO EACH FIXTURE. WIRE SIZE 18 AWG STRANDED.
  3. EP36,44,46 AND ES36,44,46 HAVE TWO SETS OF LEADS. ALWAYS CONNECT RED (+) TO RED (+) AND BLACK (-) TO BLACK (-).
  4. HLG-480H-24B AND HLG-600H-24B HAVE TWO SETS OF OUTPUT LEADS. KEANWELL RECOMMENDS NO MORE THAN 240 WATTS ON EACH SET OF CABLES FOR HLG-480H-24B AND 480 WATTS ON EACH SET OF CABLES FOR HLG-600H-24B.
  5. FOR ALL SINGLE FIXTURE EP22 AND ES22 INSTALLATIONS, DIMMER CONTROL IS FACTORY SET FOR OPTIMAL DIMMING.
  6. THIS WIRE/TERMINAL MAY BE GRAY ON OLDER PRODUCTS.



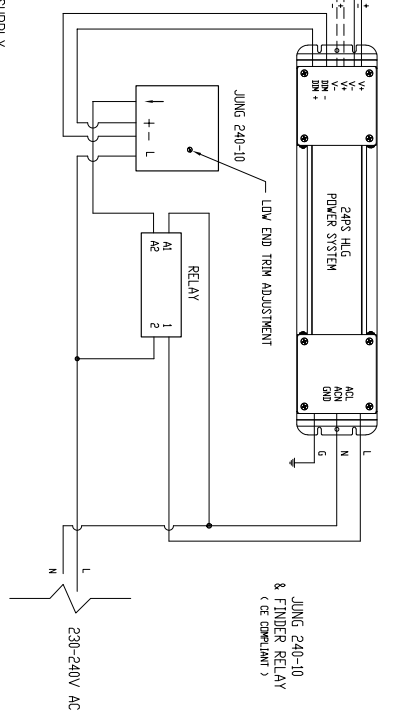
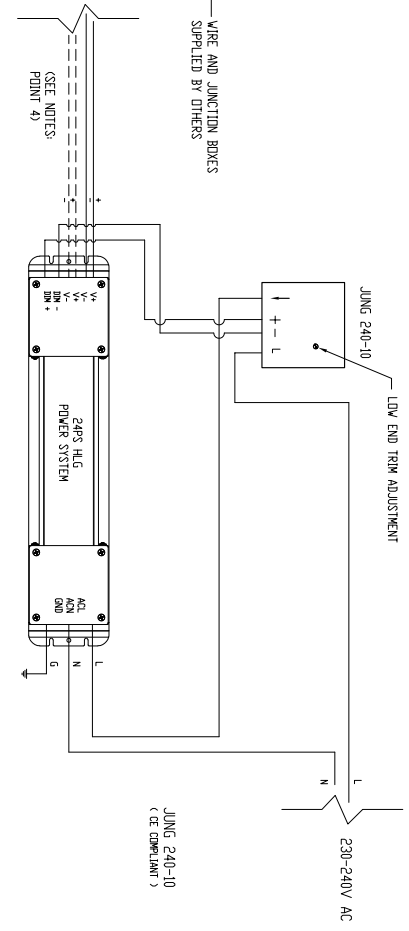
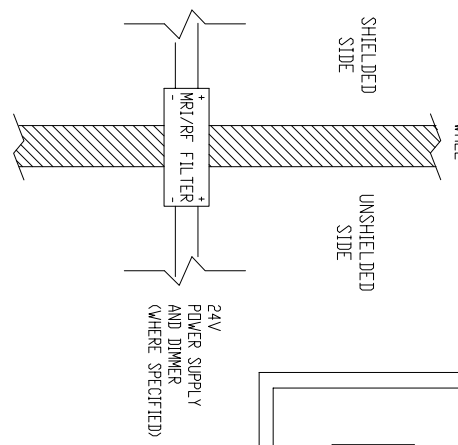
<b>Skylight Factory</b>	
MANUFACTURER OF SKYLIGHTS	MANUFACTURER OF DIMMERS
1000 WILSON AVENUE	1000 WILSON AVENUE
CHICAGO, IL 60640	CHICAGO, IL 60640
TEL: 773.477.8800	TEL: 773.477.8800
FAX: 773.477.8801	FAX: 773.477.8801
WWW.SKYLIGHTFACTORY.COM	WWW.SKYLIGHTFACTORY.COM
DATE: 06/18/2013	DATE: 06/18/2013
BY: [Signature]	BY: [Signature]
NO. OF SHEETS: 3	SHEET NO. 3
TITLE: ELO01454	REV: F
DATE: 06/18/2013	DATE: 06/18/2013
BY: [Signature]	BY: [Signature]
NO. OF SHEETS: 3	SHEET NO. 3

EP AND ES SERIES FIXTURES  
WITH 24PS HLG POWER SYSTEM  
DIMMING OPTION

- ECODPLUS**  
EP22 SERIES, EP24 SERIES,  
EP26 SERIES, EP33 SERIES,  
EP34 SERIES, EP36 SERIES,  
EP44 SERIES, EP46 SERIES,  
EPCST SERIES
- ECODSLIM**  
ES22 SERIES, ES24 SERIES,  
ES26 SERIES, ES33 SERIES,  
ES34 SERIES, ES36 SERIES,  
ES44 SERIES, ES46 SERIES,  
EPCST SERIES



- NOTES:
1. ALL FIXTURES 24V DC ONLY.
  2. JUNCTION BOX ATTACHED TO EACH FIXTURE:  
WIRE SIZE: 18 AWG STRANDED  
WIRE COLORS:  
RED (+) (POSITIVE)  
BLACK (-) (NEGATIVE)
  3. EP36/44/46 AND ES36/44/46 HAVE TWO SETS OF LEADS  
ALWAYS CONNECT RED (+) TO RED (+) AND BLACK (-)  
TO BLACK (-).
  4. HLG-480H-248 AND HLG-600H-248 HAVE TWO SETS  
OF OUTPUT LEADS. MEANWELL RECOMMENDS NO MORE THAN  
240 WATTS ON EACH SET OF CABLES FOR HLG-480H-248  
480 WATTS ON EACH SET OF CABLES FOR HLG-600H-248  
5. FOR ALL SINGLE FIXTURE EP22 AND ES22 INSTALLATIONS,  
DIMMER CONTROL IS FACTORY SET FOR OPTIMAL DIMMING.

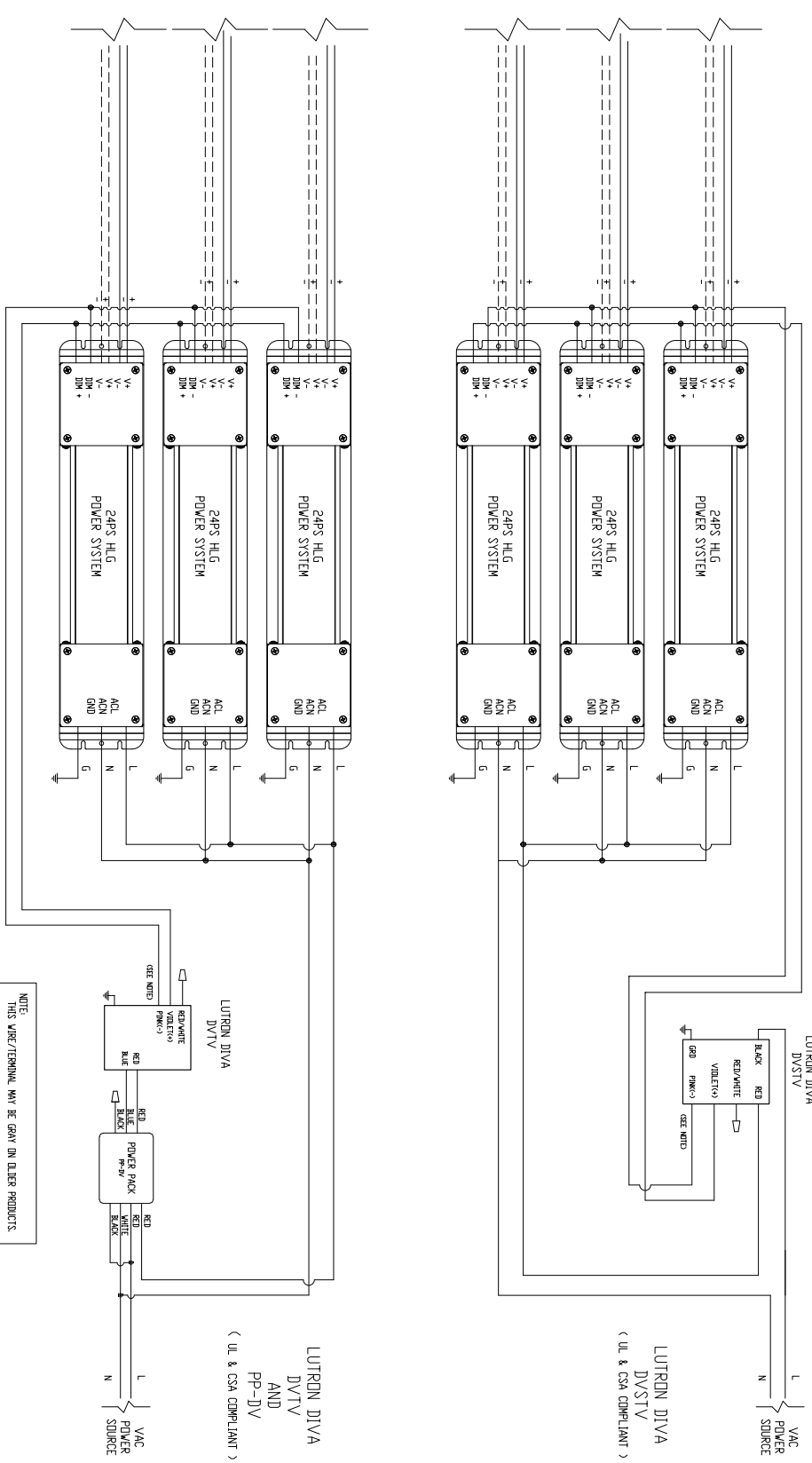


	DATE: 01/23	REV: E
	TITLE: EP AND ES SERIES HLG POWER SYSTEM DIMMING OPTION	
APPROVED BY: [Signature] PROJECT MANAGER: [Signature] DESIGNER: [Signature] CHECKER: [Signature]	DRAWN BY: RJA DATE: 11/16/2023	SCALE: 1:1 SHEET NO.: 11 OF 11

MULTIPLE 24PS HLG POWER SYSTEMS  
WITH DVSTV AND DVTV + PP-DV  
DIMMING OPTION

S  
K  
Y  
C  
E  
L  
I  
N  
G

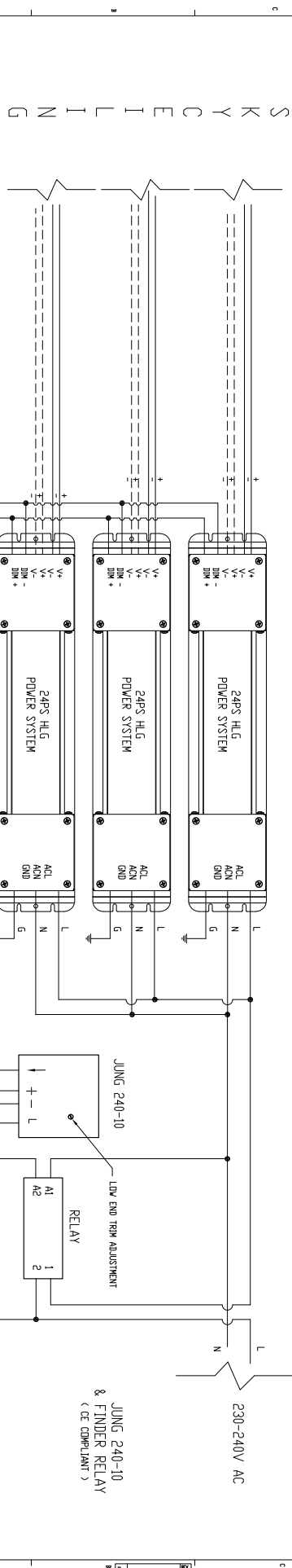
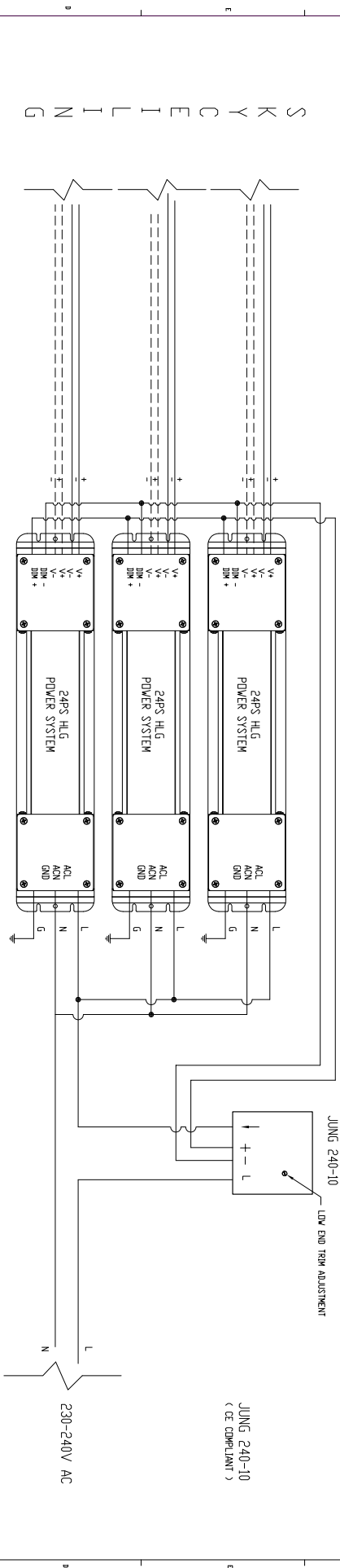
S  
K  
Y  
C  
E  
L  
I  
N  
G



NOTE:  
THIS WIRE/TERMINAL MAY BE DIFF. ON OTHER PRODUCTS.

<b>Sky Factory</b>	
REGISTERED MANUFACTURER OF DIMMING SYSTEMS	
10000 WILSON AVENUE, SUITE 100, WEST VALLEY CITY, OHIO 44124	
TEL: 440.333.8888 FAX: 440.333.8889	
WWW.SKYFACTORY.COM	
SKY NO	REV
E1001455	B
TITLE: MULTIPLE 24PS HLG POWER SYSTEMS WITH DVSTV AND DVTV + PP-DV DIMMING OPTION	
DESIGNED BY: J. B. BROWN	DATE: 03/28/2023
DRAWN BY: J. B. BROWN	DATE: 03/28/2023
CHECKED BY: J. B. BROWN	DATE: 03/28/2023
SCALE: NOT TO SCALE	SHEET: 1 OF 1

MULTIPLE 24PS HLG POWER SYSTEMS  
WITH JUNG 240-10 AND JUNG 240-10 + FINDER RELAY  
DIMMING OPTION



REV	DATE	BY	CHKD	DESCRIPTION
A	02/20/2017	...	...	...

<b>Selva</b> Electronics	SELVA ELECTRONICS	12/100, SRI RANGA ROAD, ANAPARTI, HYDRABAD - 500014, INDIA
TEL: +91-98494 12321	TEL: +91-98494 12321	TEL: +91-98494 12321
FAX: +91-98494 12322	FAX: +91-98494 12322	FAX: +91-98494 12322
EMAIL: info@selvaelectronics.com	EMAIL: info@selvaelectronics.com	EMAIL: info@selvaelectronics.com
WWW: www.selvaelectronics.com	WWW: www.selvaelectronics.com	WWW: www.selvaelectronics.com

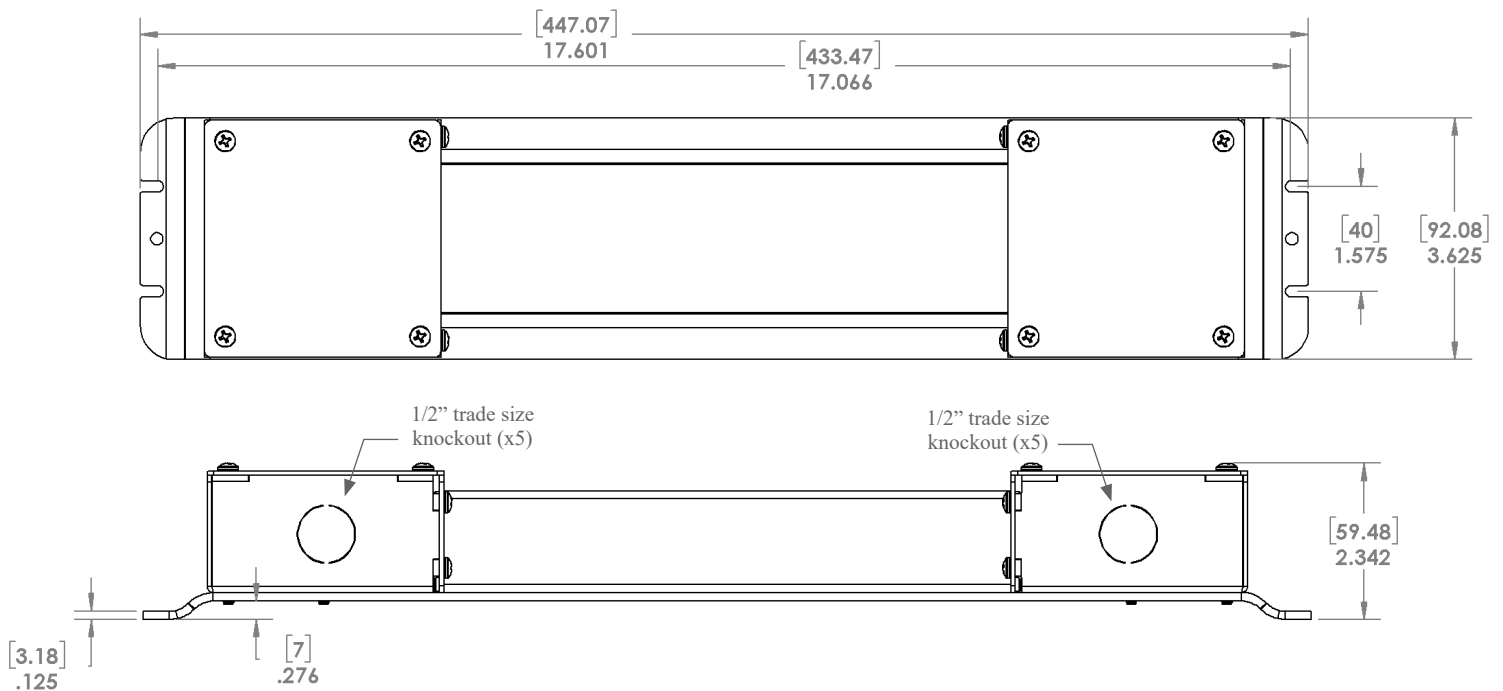
TITLE: EL001447	REV: A
DATE: 02/20/2017	BY: ...
CHKD: ...	APP: ...
SCALE: 1/1	SCALE: 1/1

## Sky Factory 24PS HLG Power System Dimensions and Weights:

DIMENSIONS AND WEIGHTS				
	LENGTH	WIDTH	HEIGHT	WEIGHT
40 WATT 60 WATT	18 IN	3.7 IN	2.4 IN	3 LBS
	45.8 CM	9.4 CM	6.1 CM	1.4 KG
80 WATT 100 WATT 120 WATT 150 WATT 185 WATT 240 WATT	18 IN	3.7 IN	2.4 IN	4 LBS
	45.8 CM	9.4 CM	6.1 CM	1.8 KG
320 WATT	18 IN	3.7 IN	2.4 IN	6 LBS
	45.8 CM	9.4 CM	6.1 CM	2.7 KG
480 WATT	19.1 IN	5.8 IN	2.5 IN	8 LBS
	48.5 CM	14.8 CM	6.4 CM	3.6KG
600 WATT	19.1 IN	5.8 IN	2.5 IN	10 LBS
	48.5 CM	14.8 CM	6.4 CM	4.6 KG

- AC input wire sizes: 17 AWG on 40-600W
- DC output wire sizes: 17 AWG on 40-240W,480W; 14 AWG on 320W,600W
- Dimmer wire sizes: 20 AWG on 40-480W; 18 AWG on 600W

Mounting dimensions: 40w, 60w, 80w, 100w, 120w, 150w, 185w, 240w, 320w 24PS HLG Power Systems



Mounting dimensions: 480W, 600W 24PS HLG Power System

