

EcoPlus and EcoSlim Drawings and Charts (24PS HLG)

Wiring Diagrams:

- EL001199 - Without Dimmer
- EL001454 - With Lutron Dimmers
- EL001423 - With Jung Dimmers
- EL001455 - Lutron Dimmers with Multiple Power Systems
- EL001447 - Jung Dimmers with Multiple Power Systems

For:

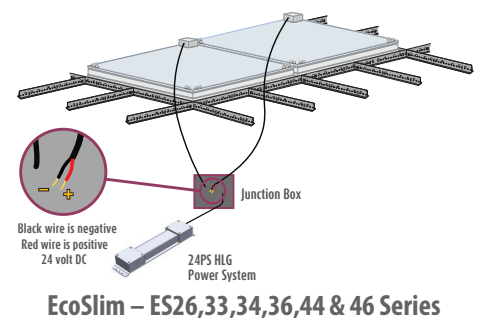
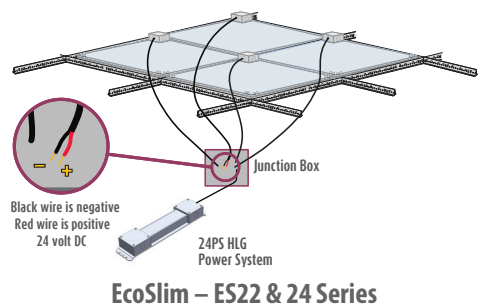
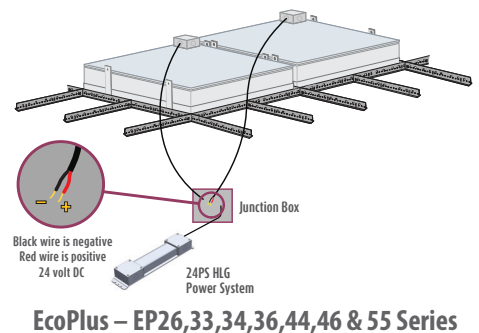
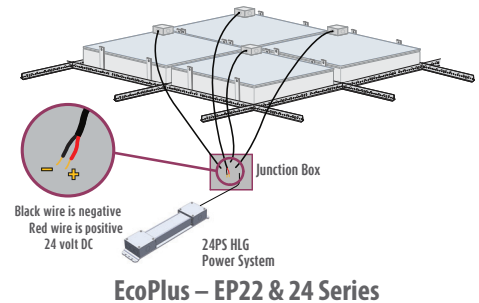
EP22 Series = EP22, EP22M, EP22G
 EP24 Series = EP24, EP24M, EP24G
 EP26 Series = EP26, EP26M, EP26G
 EP34 Series = EP34, EP34M, EP34G
 EP33 Series = EP33, EP33M, EP33G
 EP36 Series = EP36, EP36M, EP36G
 EP44 Series = EP44, EP44M, EP44G
 EP46 Series = EP46, EP46M, EP46G
 EP55 Series = EP55, EP55M, EP55G
 and EPCST Series

ES22 Series = ES22, ES22M, ES22G
 ES24 Series = ES24, ES24M, ES24G
 ES26 Series = ES26, ES26M, ES26G
 ES33 Series = ES33, ES33M, ES33G
 ES34 Series = ES34, ES34M, ES34G
 ES36 Series = ES36, ES36M, ES36G
 ES44 Series = ES44, ES44M, ES44G
 ES46 Series = ES46, ES46M, ES46G
 and EPCST Series

Sky Factory 24PS HLG Power System Dimensions and Weights

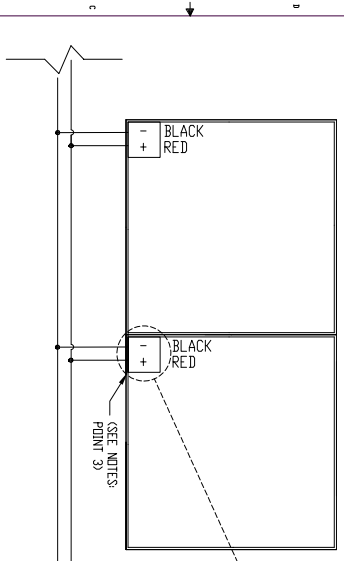
Wire Sizing Chart

For technical support at any time during the installation, please call us **toll free at 866-759-3228**.
 We want your installation to go as smoothly as possible. Thank you for choosing Sky Factory.

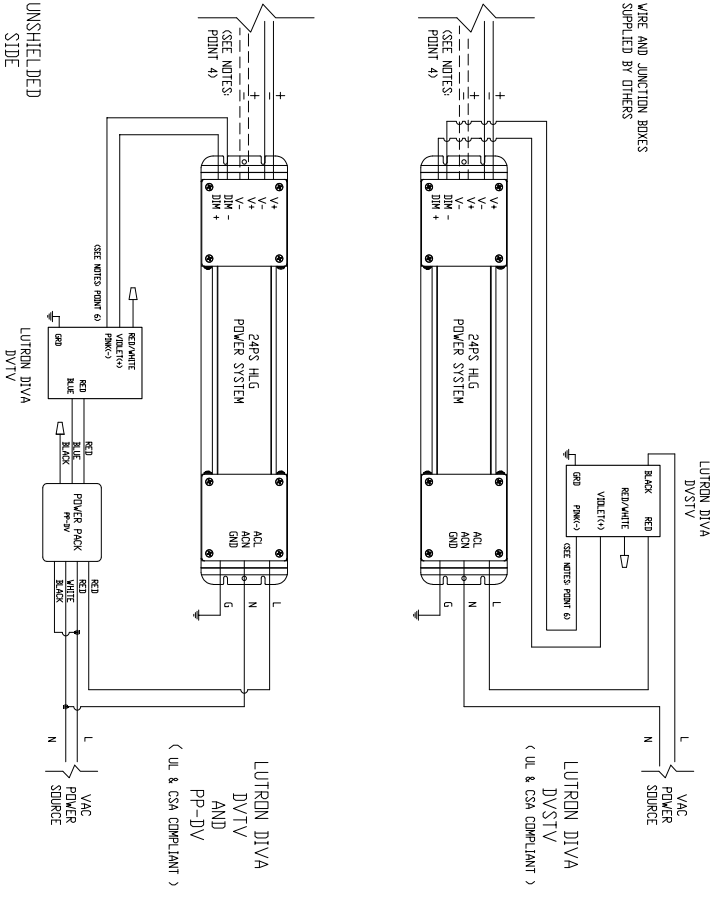
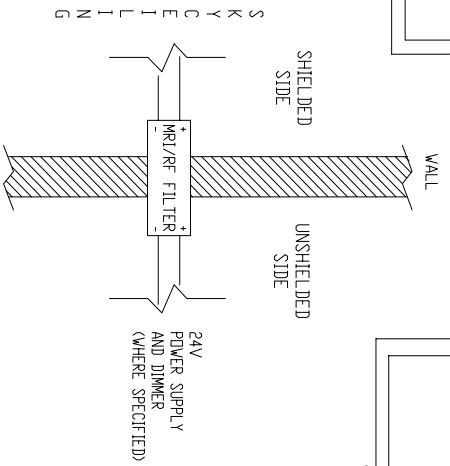


EP AND ES SERIES FIXTURES
WITH 24PS HLG POWER SYSTEM
DIMMING OPTION

- ECODPLUS**
EP22 SERIES, EP24 SERIES,
EP26 SERIES, EP33 SERIES,
EP34 SERIES, EP36 SERIES,
EP44 SERIES, EP46 SERIES,
EP55 SERIES, EPCST SERIES
- ECOSLIM**
ES22 SERIES, ES24 SERIES,
ES26 SERIES, ES33 SERIES,
ES34 SERIES, ES36 SERIES,
ES44 SERIES, ES46 SERIES,
ESCST SERIES



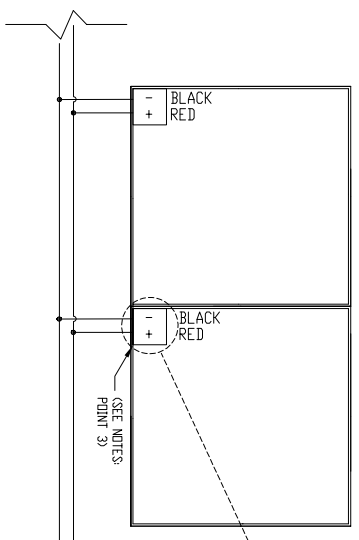
- NOTES:**
1. ALL FIXTURES 24V DC ONLY.
 2. JUNCTION BOX ATTACHED TO EACH FIXTURE. WIRE SIZE IS AWG STRANDED.
 3. EP36,44,46,55 AND ES36,44,46 HAVE TWO SETS OF LEADS. ALWAYS CONNECT RED (+) TO RED (+) AND BLACK (-) TO BLACK (-).
 4. HLG-480H-24B AND HLG-600H-24B HAVE TWO SETS OF OUTPUT LEADS. MEANWELL RECOMMENDS NO MORE THAN 240 WATTS ON EACH SET OF CABLES FOR HLG-480H-24B AND 480 WATTS ON EACH SET OF CABLES FOR HLG-600H-24B.
 5. FOR ALL SINGLE FIXTURE EP22 AND ES22 INSTALLATIONS, DIMMER CONTROL IS FACTORY SET FOR OPTIMAL DIMMING.
 6. THIS WIRE/TERMINAL MAY BE GRAY ON OLDER PRODUCTS.



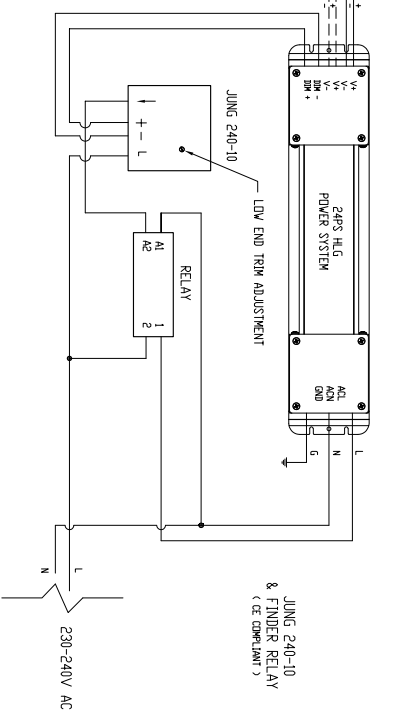
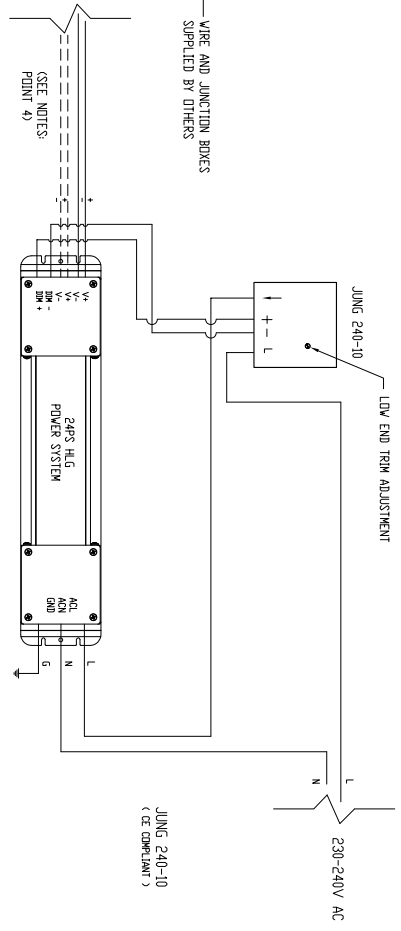
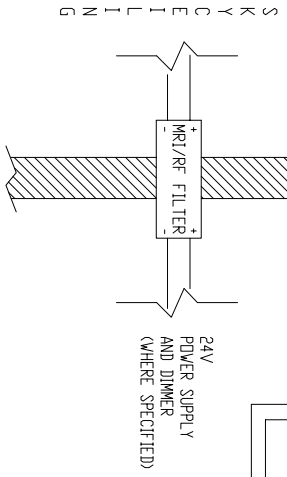
Essey Factory	DATE: 06/15/24	REV: 5
MANUFACTURED BY: Essey Factory, Inc.	TITLE: CONTROL OF ECOSLIM WITH DIMMING OPTION SYSTEM	
DESIGNED BY: SJA	DRAWN BY: SJA	DATE: 06/25/24
CHECKED BY: SJA	SCALE: NOT TO SCALE	
BY: 02 SCALE: 1/8" = 1"		

EP AND ES SERIES FIXTURES
WITH 24PS HLG POWER SYSTEM
DIMMING OPTION

- ECOSLIM**
EP22 SERIES, EP24 SERIES,
EP26 SERIES, EP33 SERIES,
EP34 SERIES, EP36 SERIES,
EP44 SERIES, EP46 SERIES,
EP55 SERIES, EPCST SERIES
- ECOSLIM**
ES22 SERIES, ES24 SERIES,
ES26 SERIES, ES33 SERIES,
ES34 SERIES, ES36 SERIES,
ES44 SERIES, ES46 SERIES,
ESCT SERIES

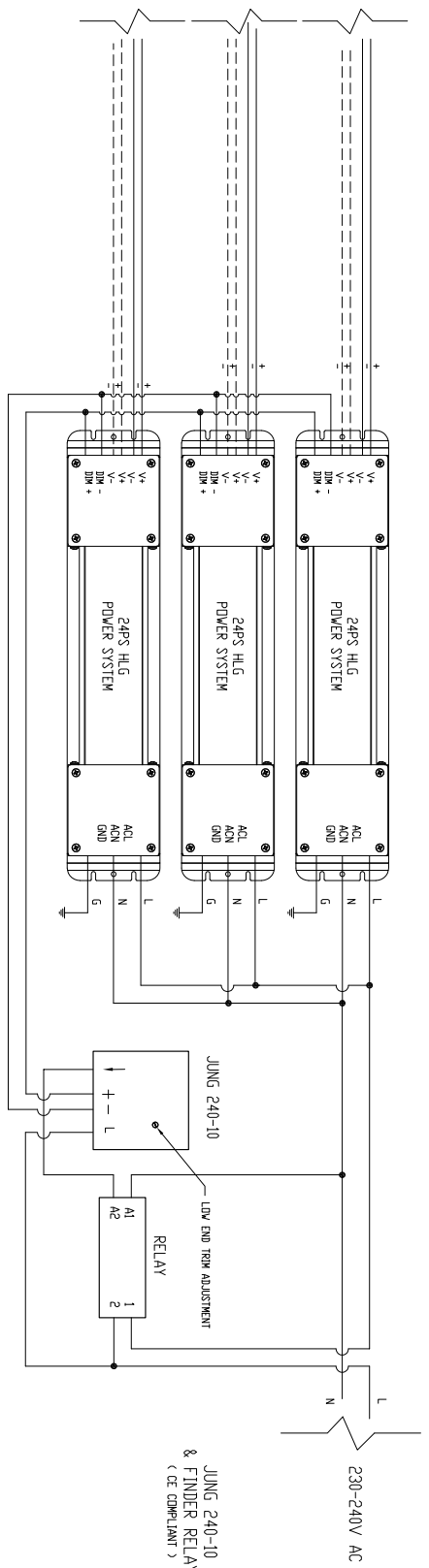
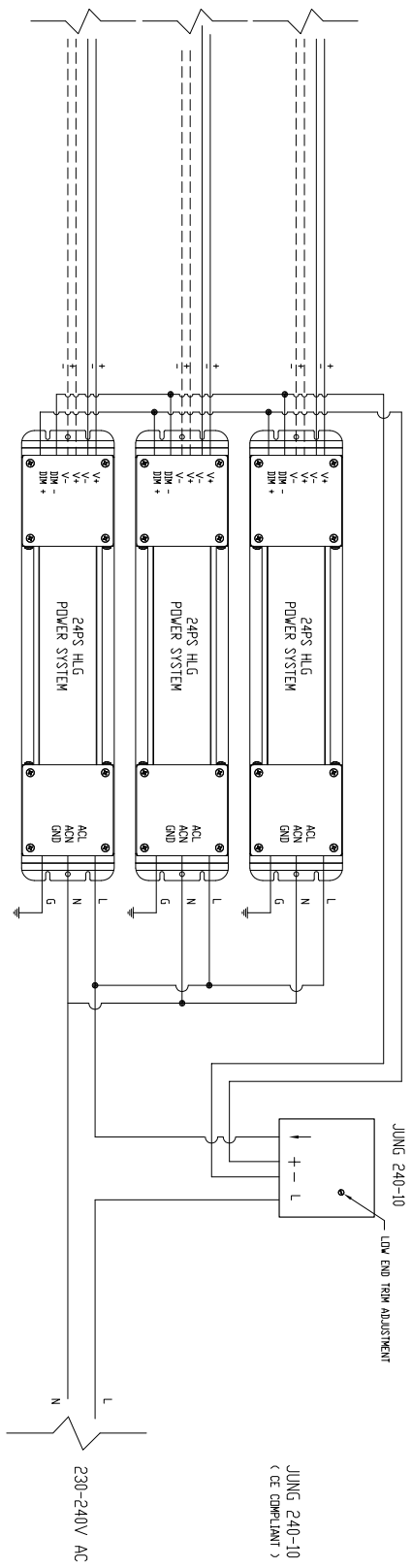


- NOTES:
1. ALL FIXTURES 24V DC ONLY.
 2. JUNCTION BOX ATTACHED TO EACH FIXTURE:
WIRE SIZE: 18 AWG STRANDED
WIRE COLORS:
RED (+) (POSITIVE)
BLACK (-) (NEGATIVE)
 3. EP36,44,46,55 AND ES36,44,46 HAVE TWO SETS OF LEADS
ALWAYS CONNECT RED (+) TO RED (+) AND BLACK (-)
TO BLACK (-).
 4. HLG-480H-248 AND HLG-600H-248 HAVE TWO SETS
OF OUTPUT LEADS. MEANWELL RECOMMENDS NO MORE THAN
240 WATTS ON EACH SET OF CABLES FOR HLG-480H-248
480 WATTS ON EACH SET OF CABLES FOR HLG-600H-248
5. FOR ALL SINGLE FIXTURE EP22 AND ES22 INSTALLATIONS,
DIMMER CONTROL IS FACTORY SET FOR OPTIMAL DIMMING.



	DATE: 01/23 REV: F
	TITLE: EP/ES HLG DIMMER WITH DIMMING OPTION
DRAWN BY: BIA CHECKED BY: BIA SCALE: 1/16"=1"	DATE: 04/25/2024
APPROVED BY: BIA DATE: 04/25/2024	SCALE: 1/16"=1"

MULTIPLE 24PS HLG POWER SYSTEMS
WITH JUNG 240-10 AND JUNG 240-10 + FINDER RELAY
DIMMING OPTION



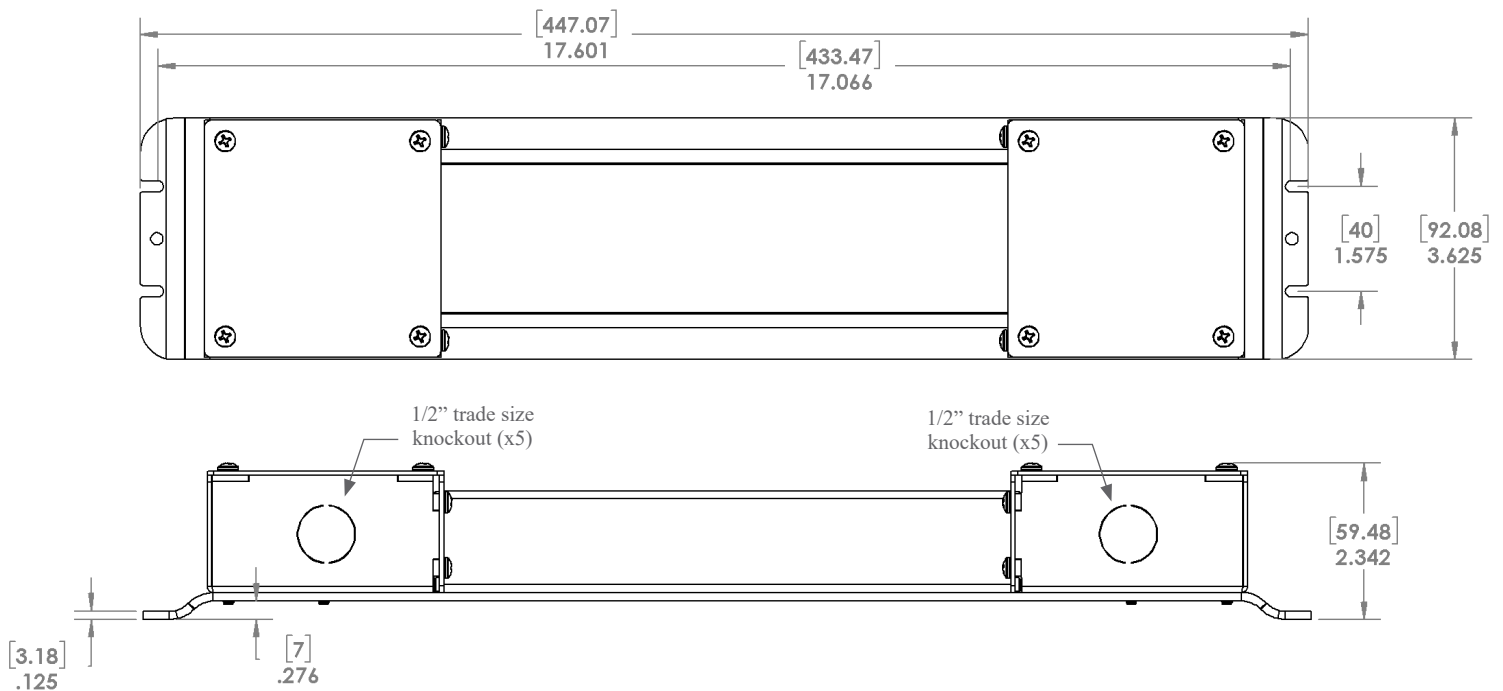
		230-240V AC JUNG 240-10 & FINDER RELAY < CE COMPLIANT >
TITLE: ELO01447 DATE: 02/20/2012 SCALE: 1/1	REV: A 1	230-240V AC JUNG 240-10 & FINDER RELAY < CE COMPLIANT >

Sky Factory 24PS HLG Power System Dimensions and Weights:

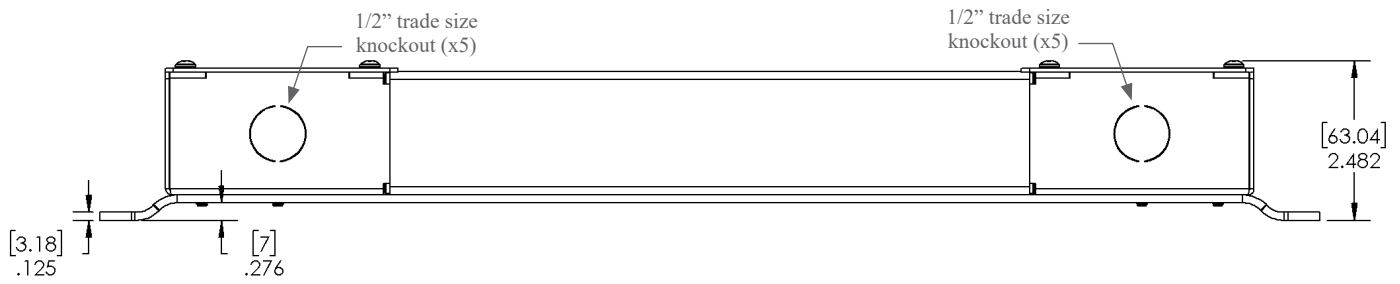
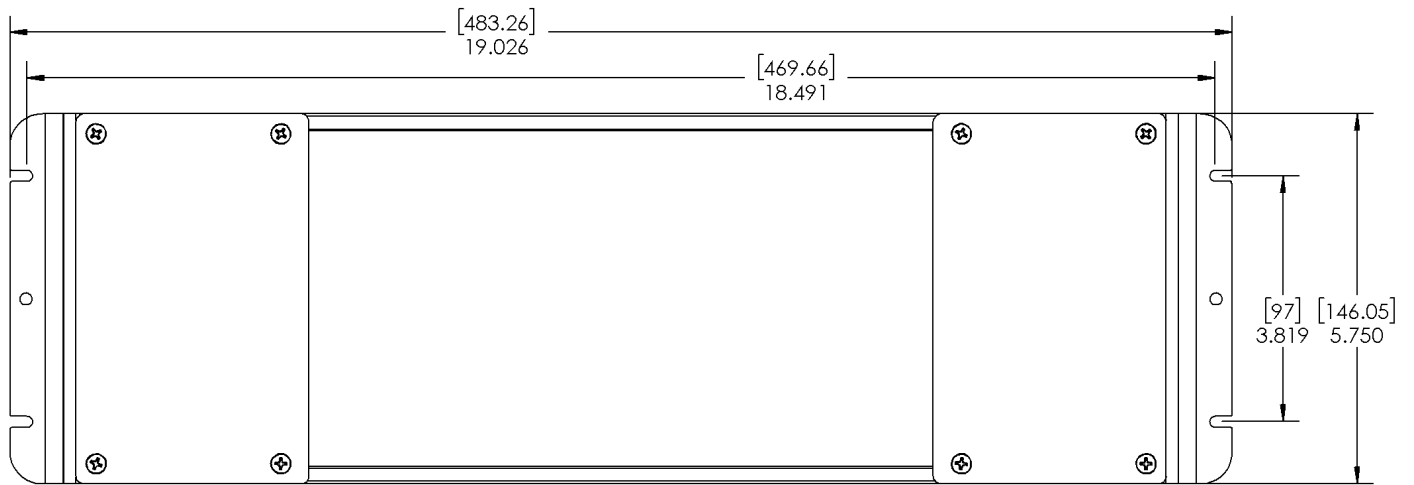
DIMENSIONS AND WEIGHTS				
	LENGTH	WIDTH	HEIGHT	WEIGHT
40 WATT 60 WATT	18 IN	3.7 IN	2.4 IN	3 LBS
	45.8 CM	9.4 CM	6.1 CM	1.4 KG
80 WATT 100 WATT 120 WATT 150 WATT 185 WATT 240 WATT	18 IN	3.7 IN	2.4 IN	4 LBS
	45.8 CM	9.4 CM	6.1 CM	1.8 KG
320 WATT	18 IN	3.7 IN	2.4 IN	6 LBS
	45.8 CM	9.4 CM	6.1 CM	2.7 KG
480 WATT	19.1 IN	5.8 IN	2.5 IN	8 LBS
	48.5 CM	14.8 CM	6.4 CM	3.6KG
600 WATT	19.1 IN	5.8 IN	2.5 IN	10 LBS
	48.5 CM	14.8 CM	6.4 CM	4.6 KG

- AC input wire sizes: 17 AWG on 40-600W
- DC output wire sizes: 17 AWG on 40-240W,480W; 14 AWG on 320W,600W
- Dimmer wire sizes: 20 AWG on 40-480W; 18 AWG on 600W

Mounting dimensions: 40w, 60w, 80w, 100w, 120w, 150w, 185w, 240w, 320w 24PS HLG Power Systems



Mounting dimensions: 480W, 600W 24PS HLG Power System



Wire Sizing Chart:

Wire Sizing Chart is calculated for a recommended voltage drop of no more than 3%.

For amps per luminaire at 24V DC, see below. For custom sizes, see custom wiring diagram included (where applicable).

NOTE: Some larger installations have multiple branches. See custom wiring diagram (where applicable).

NOTE: Two largest power systems have two sets of leads. See "EcoPlus and EcoSlim Drawings and Charts (24PS HLG)", pgs 2-4.

We recommend dividing the load as evenly as possible to minimize voltage drop and maximize placement options.

Length	5	10	15	20	25	30	35	40	45	50
Amperage										
1	18	18	18	18	18	18	18	18	18	18
2	18	18	18	18	18	16	16	16	16	14
3	18	18	18	16	16	16	14	14	14	12
4	18	18	18	16	14	14	14	12	12	12
5	18	18	16	14	14	12	12	12	12	10
6	18	16	16	14	12	12	12	10	10	10
7	18	16	14	14	12	12	10	10	10	10
8	18	16	14	12	12	10	10	10	10	-
9	18	16	14	12	12	10	10	10	-	-
10	16	14	12	12	10	10	10	-	-	-
11	16	14	12	12	10	10	-	-	-	-
12	16	14	12	10	10	-	-	-	-	-
13	16	14	12	10	10	-	-	-	-	-

Amps per Luminaire at 24V DC

Classic	Amps	Revelation	Amps	Revelation	Amps
EP22-CLA Series	0.96	EP24-RVN	1.96	ES24-RVN	1.53
EP24-CLA Series	1.96	EP26-RVN Series	2.88	ES26-RVN Series	2.38
EP33-CLA Series	2.16	EP33-RVN Series	2.16	ES33-RVN Series	1.78
		EP34-RVN Series	2.88	ES34-RVN Series	2.19
Classic	Amps	EP36-RVN Series	4.32	ES36-RVN Series	2.73
ES22-CLA Series	1.02	EP44-RVN Series	3.84	ES44-RVN Series	2.46
ES24-CLA Series	1.53	EP46-RVN Series	5.75	ES46-RVN Series	3.74
		EP46-RVN Series	6.0		