

Sky Factory 24PS HLG Power System



CONFORMS TO:
ANSI/UL STD 1598
CERTIFIED TO:
CAN/CSA STD CSS No. 250.0



Specifications

Sky Factory 24PS HLG Power System:

Input (Typ): 100-240V AC; 50 - 60 Hz; Auto-ranging
(277V AC North America only)

Output: 24V DC

Maximum Watts (Useable): 600 Watts

Available sizes are: 40W, 60W, 80W, 100W, 120W, 150W, 185W, 240W,
320W, 480W, 600W

Multiple power systems with single dimmer can be used

Power supply mounted on baseplate with junction box on input and output ends

Junction box wiring access holes limited to 1/2" nominal trade size conduit

AC input wire size:

17 AWG on 40-600W

DC output wire size:

17 AWG on 40-240W, 480W; 14 AWG on 320W, 600W

Dimmer wire size:

20 AWG on 40-480W; 18 AWG on 600W

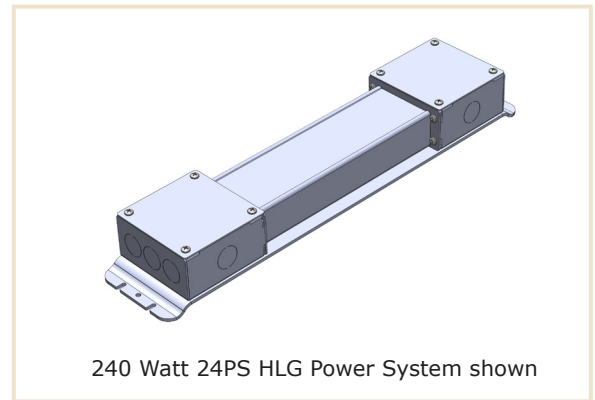
Power system must have 2" (5cm) clearance for air flow

Wall mount recommended.

Power System must be mounted in dry locations.

Power System is specified for Sky Factory EcoSlim ES Series and EcoPlus EP Series fixtures only.

24PS HLG Power System LED 24V DC Electrical Power System



240 Watt 24PS HLG Power System shown

UL/CSA Listed and CE Compliant:

24PS HLG Power System when used with
ES22 Series, ES24 Series, ES26 Series, ES33 Series, ES34 Series,
ES36 Series, ES44 Series, ESCST Series,
EP22 Series, EP24 Series, EP26 Series, EP33 Series, EP34 Series,
EP36 Series, EP44 Series, EP46 Series and EPCST Series fixtures
fully certified by Intertek Group plc

Dimming:

UL & CSA Listed -

Lutron Diva DVSTV or DVTV + PP-DV 0-10V dimmer/switch

Input: auto-ranging 120 - 277V AC

Mounts in standard single-gang electrical box

White standard, other colors available upon request

CE Compliant -

Jung 240-10 0-10V dimmer/switch and external relay where specified

Input: 230 - 240V AC

Mounts in appliance box to DIN 49073

For EcoSlim and EcoPlus SkyCeilings:

Wiring Diagrams:

"EcoPlus and EcoSlim Drawings and Charts (24PS HLG)"

Power System Mounting Dimensions:

"EcoPlus and EcoSlim Drawings and Charts (24PS HLG)"

For Custom EcoPlus SkyCeilings

(Aperture, Circle, Ellipse, Infinity and Custom Configurations):

Number of Fixtures per Power System and Wiring Diagrams:

"Custom EcoPlus Installation Instructions (24PS HLG)" and
installation specific wiring diagrams EL1-2 for number of circuits and
number of fixtures per circuit

Power System Mounting Dimensions:

"Sky Factory 24PS HLG Power System Installation" pages 3-4

DIMENSIONS AND WEIGHTS				
	LENGTH	WIDTH	HEIGHT	WEIGHT
40 WATT 60 WATT	18 IN 45.8 CM	3.7 IN 9.4 CM	2.4 IN 6.1 CM	3 LBS 1.4 KG
80 WATT 100 WATT 120 WATT 150 WATT 185 WATT 240 WATT	18 IN 45.8 CM	3.7 IN 9.4 CM	2.4 IN 6.1 CM	4 LBS 1.8 KG
320 WATT	18 IN 45.8 CM	3.7 IN 9.4 CM	2.4 IN 6.1 CM	6 LBS 2.7 KG
480 WATT	19.1 IN 48.5 CM	5.8 IN 14.8 CM	2.5 IN 6.4 CM	8 LBS 3.6KG
600 WATT	19.1 IN 48.5 CM	5.8 IN 14.8 CM	2.5 IN 6.4 CM	10 LBS 4.6 KG