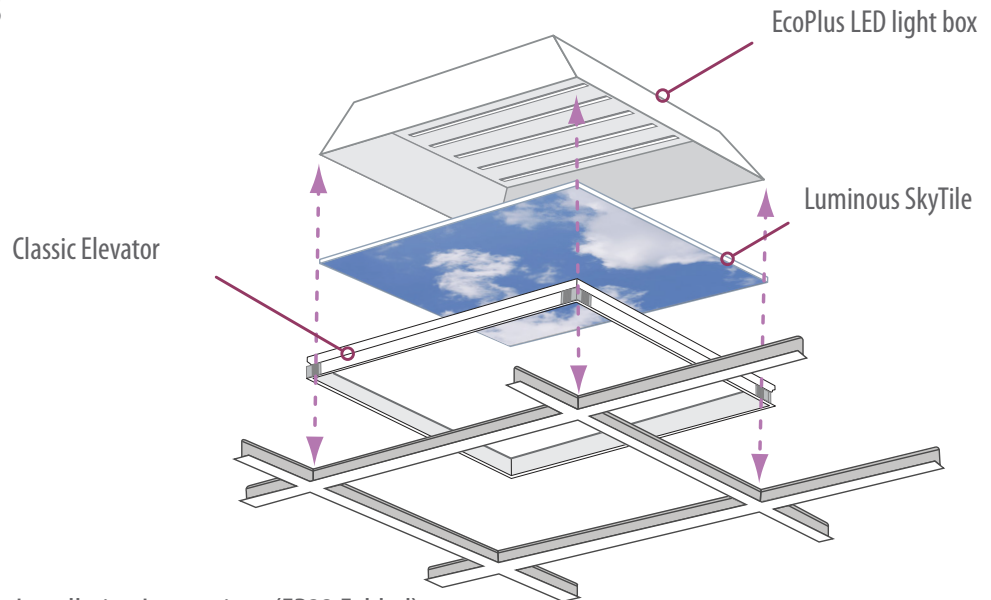




Classic w/ EcoPlus Luminous SkyCeiling Installation Instructions (EP22 Folded)



Installation Packet Includes:

Classic w/ EcoPlus Luminous SkyCeiling Installation Instructions (EP22 Folded)

Drop Ceiling and Soffit Cross-Sections included on pages 10 - 13

Custom SkyCeiling Grid Plan GR1 (where applicable)

One of three electrical instructions:

- Classic w/ EcoPlus Electrical Packet (24PS HLG)
 - Classic w/ EcoPlus Electrical Instructions (24PS HLG)
 - EcoPlus and EcoSlim Drawings and Charts (24PS HLG)
- Classic w/ EcoPlus Electrical Instructions (HLG)
- Classic w/ EcoPlus Electrical Instructions (Fixture Only)

Luminous SkyTile Installation and SkyTile Layout (included with the SkyTiles)

EcoSlim and EcoPlus Luminous SkyCeiling Maintenance

For technical support at any time during the installation, please call us **toll free at 866-759-3228**.
We want your installation to go as smoothly as possible. Thank you for choosing Sky Factory.

Classic w/ EcoPlus Specifications:

Ceiling Grids

Each fixture is built specifically for one of these standard ceiling grid systems:

EP22 Series EP22 - 2' x 2', 15/16" **EP22M** - 60cm x 60cm, 24mm **EP22G** - 62.5cm x 62.5cm, 24mm

EP22 Series can be grouped with EP24 Series fixtures.

NOTE: For custom sizes, see **Custom Applications** below

Ceiling Openings

Access above ceiling is required. Not for use in air handling areas.

See Drop Ceiling and Soffit Cross Section drawings on pages 10 -13

Clearance

Must have at least 7 1/4" (18.5cm) of clearance from the bottom of the grid to the deck above. See Step 1

If not, call the Sky Factory for other options: 866-759-3228.

Runners and Spanners

Grid must be installed level and square

Grid Hanger Straps (provided) must be used to accommodate fixtures in grid pocket. See Step 2

For all 2' x 2', 60cm x 60cm, 62.5cm x 62.5cm ceiling grids, be sure all adjacent runners (mains) are not supported in the same opening or it may interfere with installation and removal of the fixture.

Fixture Suspension

Hanger brackets supplied to suspend fixtures from ceiling where required. See Step 3 and Step 5.

Custom Applications

For installations with custom sizes, and/or custom soffit or grid openings, see also

Custom SkyCeiling Grid Plan GR1 included (where applicable)

Electrical Requirements:

EcoPlus light box when used in conjunction with the Sky Factory 24PS HLG Power System

- See Classic w/ EcoPlus Electrical Packet (24PS HLG)

EcoPlus light box when used with a Sky Factory provided HLG power supply

- See Classic w/ EcoPlus Electrical Instructions (HLG)

EcoPlus light box when used with a client-provided, or client-specified UL Listed or CE Compliant power supply

- See Classic w/ EcoPlus Electrical Instructions (Fixture Only)

Electrical work must be performed by a qualified electrician who is familiar with DC lighting systems and must conform to all local and national codes.

Important! Before Starting

For standard 15/16" or 24mm ceiling grid without perimeter or edge angle:
use "Classic EcoPlus Luminous SkyCeiling Drop Ceiling Cross Section" drawing on page 10 -11 as a reference
and proceed with the installation instructions.

For standard 15/16" or 24mm ceiling grid with perimeter or edge angle:
use "Classic EcoPlus Luminous SkyCeiling Soffit Cross Section" drawing on page 12 - 13 as a reference
and verify before beginning installation that the perimeter and/or soffit openings are the correct dimensions.

If your perimeter and/or soffit openings are not correct, please contact the Sky Factory before beginning the installation.

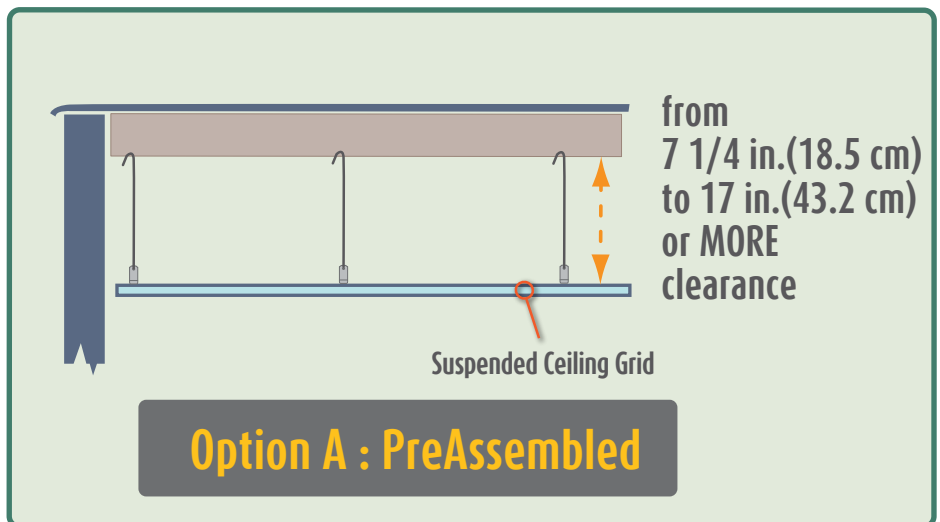
Step 1: Determine installation method

Fixture can be installed as pre-assembled unit or as one component at a time.

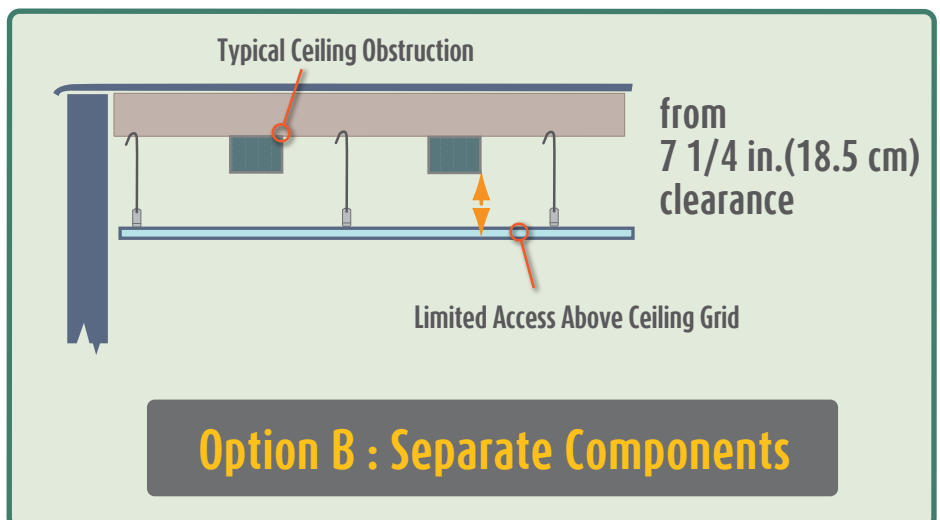
For Option A, the fixture can be assembled first and then inserted:

from an adjacent opening or by removing part of the grid (with a clearance of 7 1/4" [18.5cm] to 17" [43.2cm])

or directly through a grid opening (with 17" [43.2cm] or more clearance)



For Option B, the fixture can be installed one component at a time (with a clearance from 7 1/4" [18.5cm] & limited access above the grid)

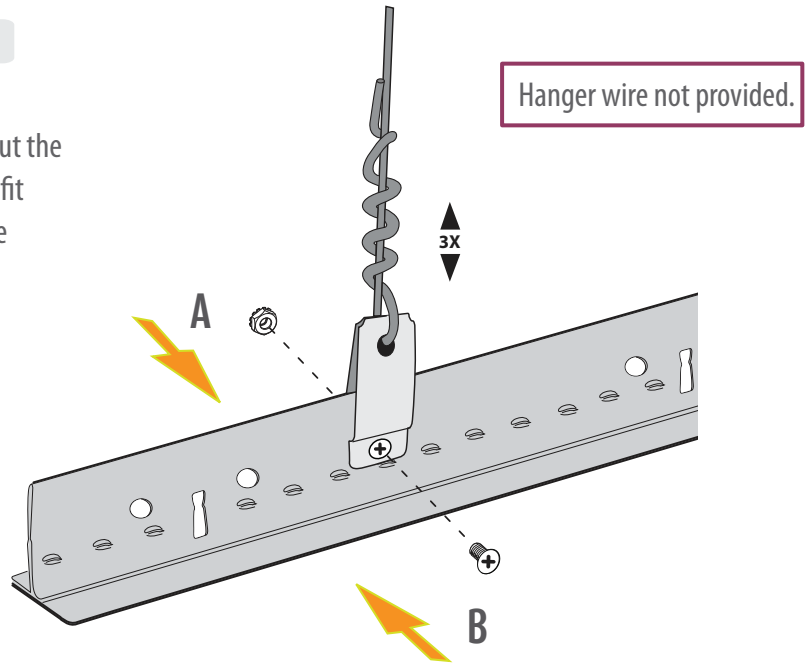


NOTE: Option A and Option B details covered later in the Instructions.

Step 2: Install grid hanger straps

Grid Hanger Straps allow the grid to be supported without the hanger wire interfering with the installation and proper fit of the EcoPlus fixture. Straps are designed to bend at the center, fold down over the top bulb of the runner and fasten through one of the holes in the grid. Use the enclosed 8-32 x 1/4" (6.35mm) undercut flat head machine screws and Keps nuts to secure it. Grid wire goes through the hole in the strap just below the fold.

Where possible, support the runners in the middle of openings for ease of fixture installation.

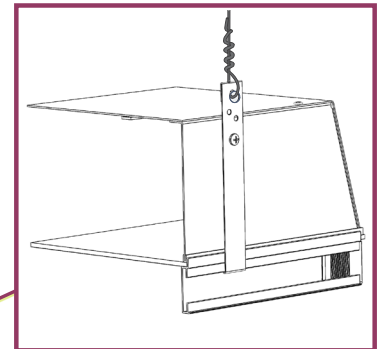


Note: Where possible, do not hang adjacent runners in the same 2' x 2', 60cm x 60cm, or 62.5cm x 62.5cm opening: installation of the fixtures may require one open side above the grid into which they can be temporarily inserted before dropping down into the grid pocket.

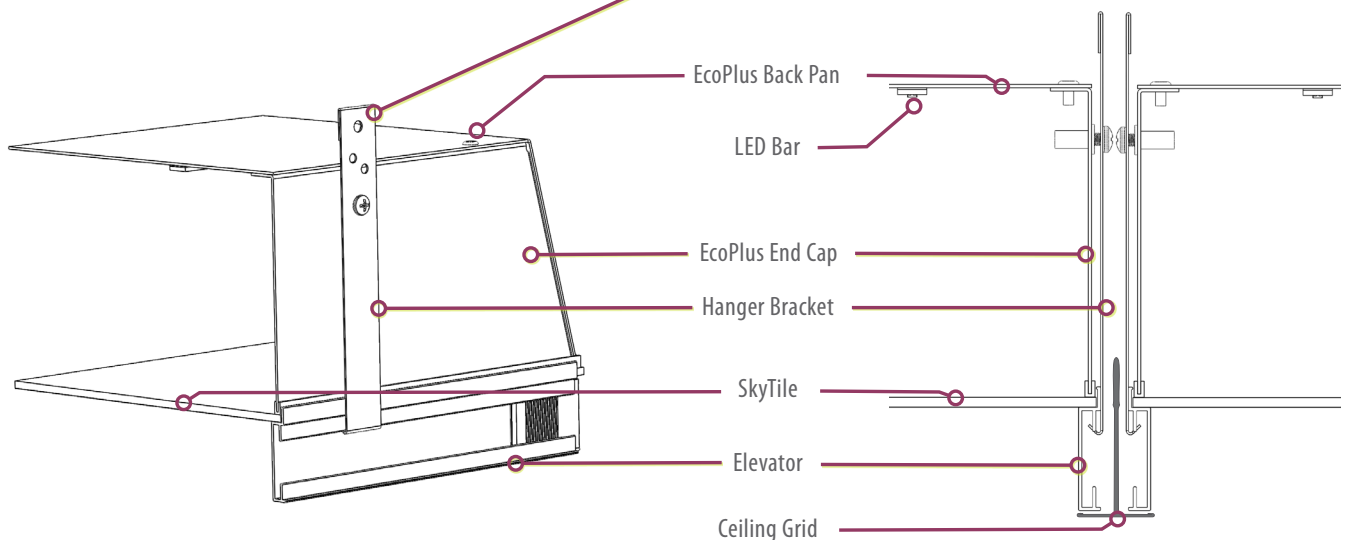
Step 3: Important details

Hanger brackets are provided which hold the fixture together and provide suspension where required.

NOTE: See page 7 for assembly details.



Classic w/ EcoPlus components:



Step 2: Determine the electrical layout

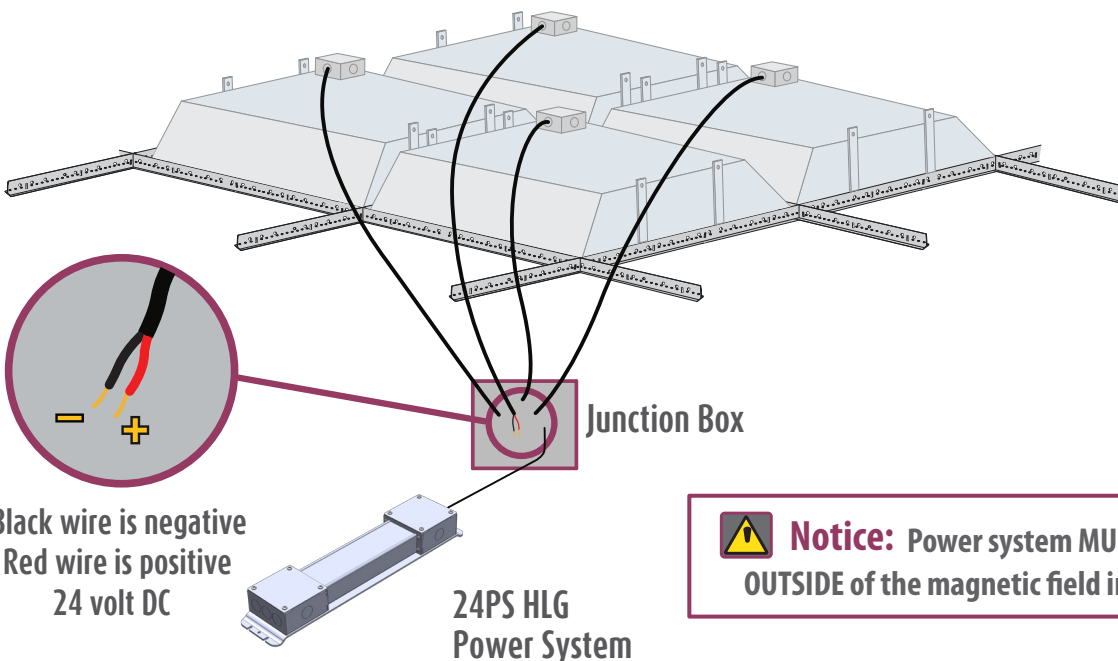
Accommodations for wiring must be made before the fixtures are installed. Refer to the Electrical Installation Instructions included with your packet.

All electrical work must conform to local and national codes.



Notice: The LED fixtures are 24DC ONLY.

AC voltage connected directly to the fixtures will destroy the lighting system.



Notice: Power system MUST be installed OUTSIDE of the magnetic field in an MRI suite.

Note:

- If you are using a Sky Factory 24PS HLG Power System, make sure you have Classic w/ EcoPlus Electrical Packet (24PS HLG).
- If you are using a Sky Factory provided HLG power supply, make sure you have Classic w/ EcoPlus Electrical Instructions (HLG).
- If you are using a client provided, or client-specified UL Listed or CE Compliant power supply, make sure you have Classic w/ EcoPlus Electrical Instructions (Fixture Only).

Step 4: Fixture and SkyTile orientation

Fixtures **MUST** be installed so the SkyTiles fit the SkyTile Layout.
See SkyTile Installation Instructions and SkyTile Layout included with the SkyTiles.

In all installations with more than one fixture,
an elevator with logo is provided.

Elevator is installed in location noted on SkyTile Layout
(included with SkyTiles).



Check SkyTile Layout for proper placement
of elevator with Sky Factory logo



⚠ Important:

Quick release labels are for installation purposes only.

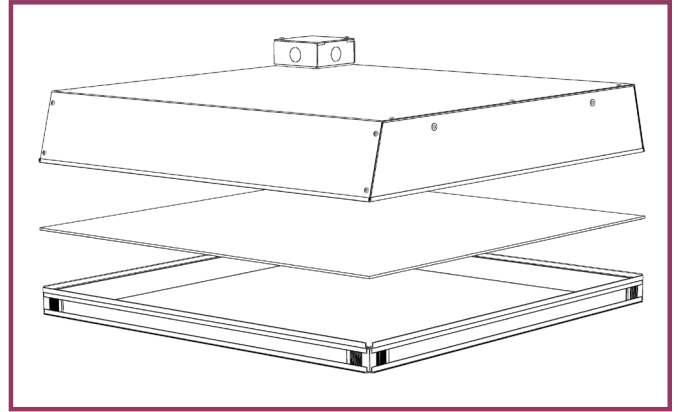
They orient the location and direction of each tile in the SkyCeiling.

Labels **MUST** be removed once the SkyTiles are fully installed and checked for proper orientation.

Step 5: Option A - Install pre-assembled fixtures

Where a pre-assembled fixture can be inserted into the space above the grid either from an adjacent opening, by removing part of the grid, or if there is 17" (43.2cm) or more of clearance between the bottom of the grid and deck above.

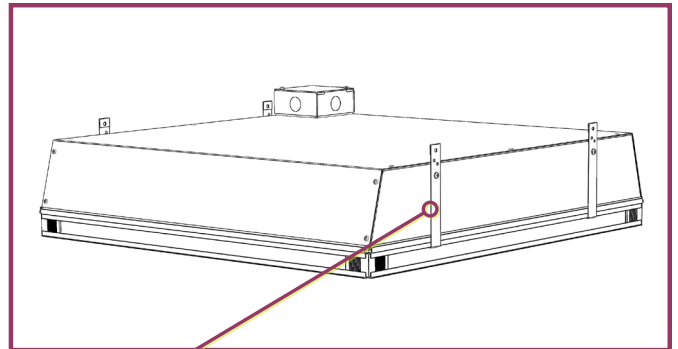
Pre-assemble the three components of the fixture:
the Elevator, SkyTile and EcoPlus light box.
See also detail on page 4



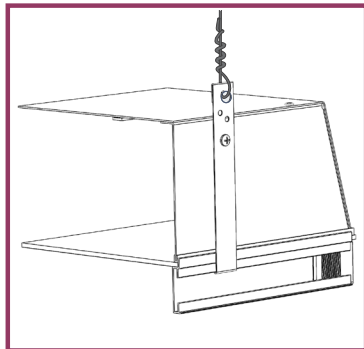
Use the hanger brackets to secure the Elevator
to the light box.

Brackets mount on opposite sides,
2 per side for EP22 Series.

Brackets set 5" (13cm) in from corners
and attach with 8-32 x 3/8" machine screws provided.



Hanger wire
option
shown.



Insert the assembled fixture into the grid
much as you would a ceiling tile.



Step 6: Option B - Assemble components during installation

If a pre-assembled fixture cannot be inserted above the grid.

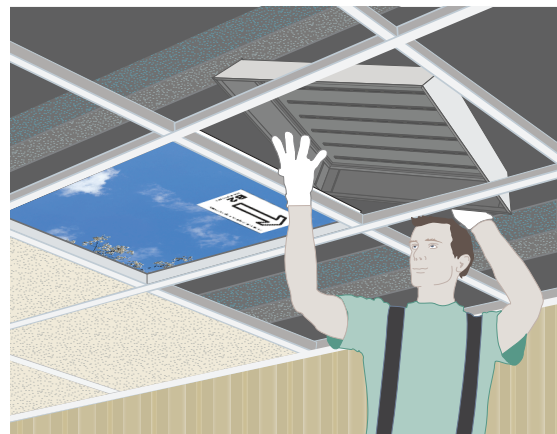
Insert the Elevator into the grid opening first.



Next, drop the SkyTile into the Elevator.



Then set the light box on top the Elevator/SkyTile sandwich.



Be sure to secure the components together with the hanger brackets once installed.

Step 7: Check installation using Final Inspection list.

Do all the fixtures sit evenly in the grid?

- Hanger wire can force a fixture to sit off center. If so, re-attach the wire using a Grid Hanger Strap.
- If grid is not installed square, EcoPlus fixtures will sit unevenly in the opening. If so, adjust grid so it is square.

Are all the fixtures seated down on the grid flange?

- If fixtures are not seated on the flange, light leaks could result.

Is the image evenly lit?

- If there are shadows, dark spots, or bright lines on the image, clear off the back of the SkyTile.
- If one or more SkyTiles are dark, one or more EcoPlus light boxes are not working. Re-check wiring.

Does the SkyCeiling image match the SkyTile Layout image?

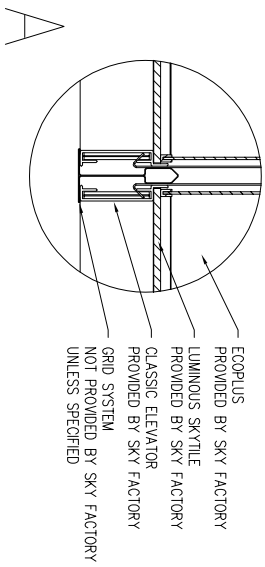
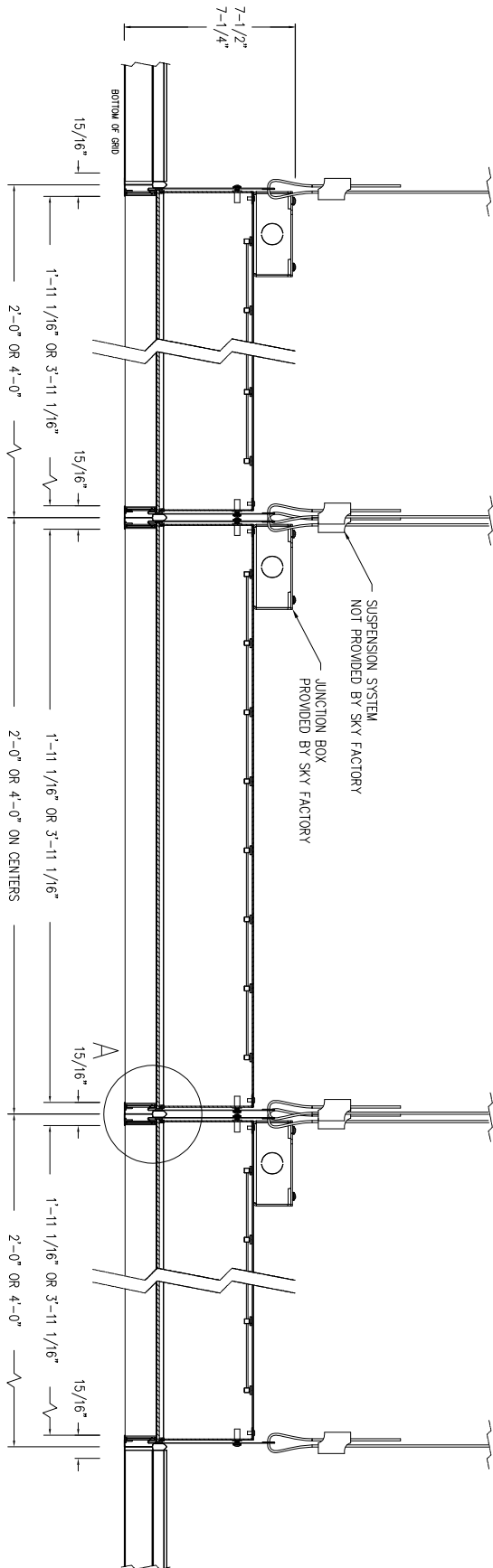
- Are the tiles in the correct position and orientation?
- If the SkyTile Layout has a head location, is the SkyCeiling properly oriented?

Is the elevator with logo in correct location?

- See SkyTile Layout for correct location.
- NOTE: Single 2x2 and 2x4 installations do not have logo.

Have the arrow-labels been removed once the image has been verified?

- Quick release labels **MUST** be removed once the SkyTiles are fully installed and checked for proper orientation.



PO BOX 1177
 Fairfield, Iowa 52536
 Phone: 641-472-1747
 www.SkyFactory.com

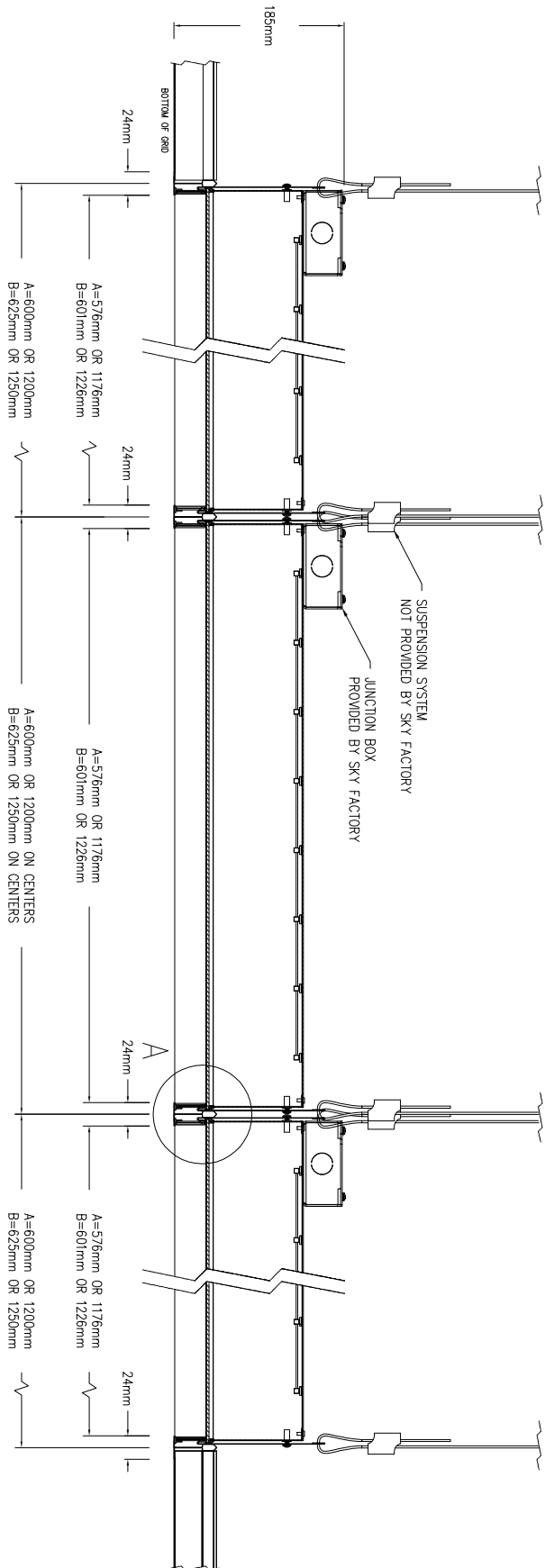
PRODUCT

CLASSIC ECOPLUS LUMINOUS SKYCEILING
TYPICAL GRID CEILING
CROSS SECTION - IMPERIAL

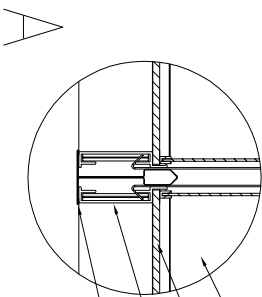
REVISIONS		DRAWN BY	DATE CREATED
DATE	RA	RA	05-23-16
06-15-17	RA		
05-15-18	RA		
02-07-20	RA		

X S 1

SHEET
 1 OF 1



NOTE:
 A (METRIC) = 600mm & 1200mm GRID SYSTEM
 B (METRIC) = 625mm & 1250mm GRID SYSTEM



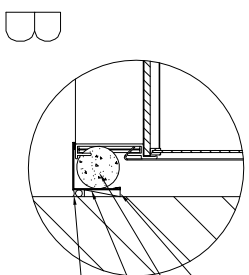
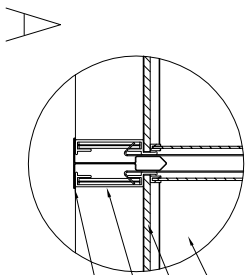
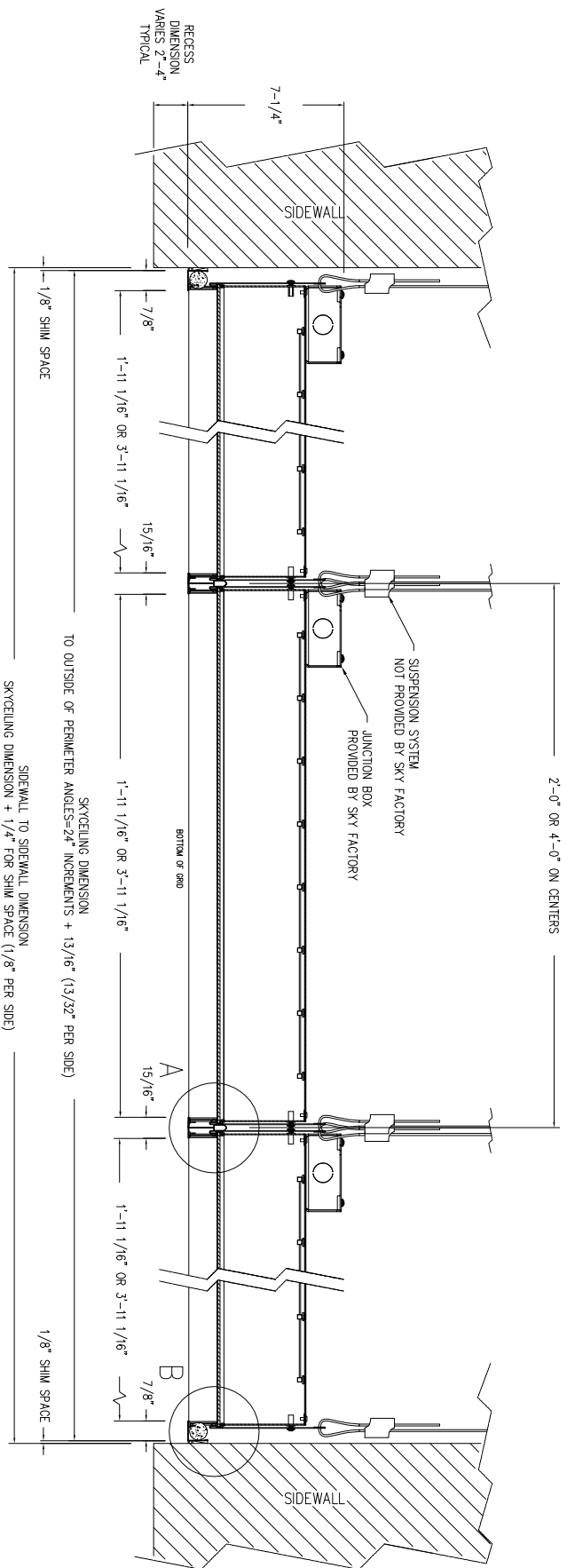
ECOPLUS
 PROVIDED BY SKY FACTORY
 LUMINOUS SKYLITE
 PROVIDED BY SKY FACTORY
 CLASSIC ELEVATOR
 PROVIDED BY SKY FACTORY
 GRID SYSTEM
 NOT PROVIDED BY SKY FACTORY
 UNLESS SPECIFIED

Sky Factory
 PO BOX 1177
 Fairfield, Iowa 52556
 Phone: 641-472-1747
 www.TheSkyFactory.com

PRODUCT
CLASSIC ECOPLUS LUMINOUS SKYCEILING
TYPICAL GRID CEILING
CROSS SECTION - METRIC

REVISIONS	DRAWN BY	RA	DATE CREATED	05-23-16
DATE	06-15-17	RA	COMMENTS	
DATE	05-15-18	RA	COMMENTS	
DATE	02-07-20	RA	COMMENTS	

XS1
 SHEET
 1 OF 1



ECOPLUS
PROVIDED BY SKY FACTORY
LUMINOUS SKYTILE
PROVIDED BY SKY FACTORY
CLASSIC ELEVATOR
PROVIDED BY SKY FACTORY
GRID SYSTEM
NOT PROVIDED BY SKY FACTORY
UNLESS SPECIFIED

1/8" SHIM
NOT PROVIDED BY SKY FACTORY
FOAM BACKER ROD
NOT PROVIDED BY SKY FACTORY
PERIMETER EDGE ANGLE
NOT PROVIDED BY SKY FACTORY
UNLESS SPECIFIED
CAULK
NOT PROVIDED BY SKY FACTORY



PO BOX 1177
Fairfield, Iowa 52556
Phone: 641-472-1747
www.TheSkyFactory.com

PRODUCT

CLASSIC ECOPLUS LUMINOUS SKYCEILING

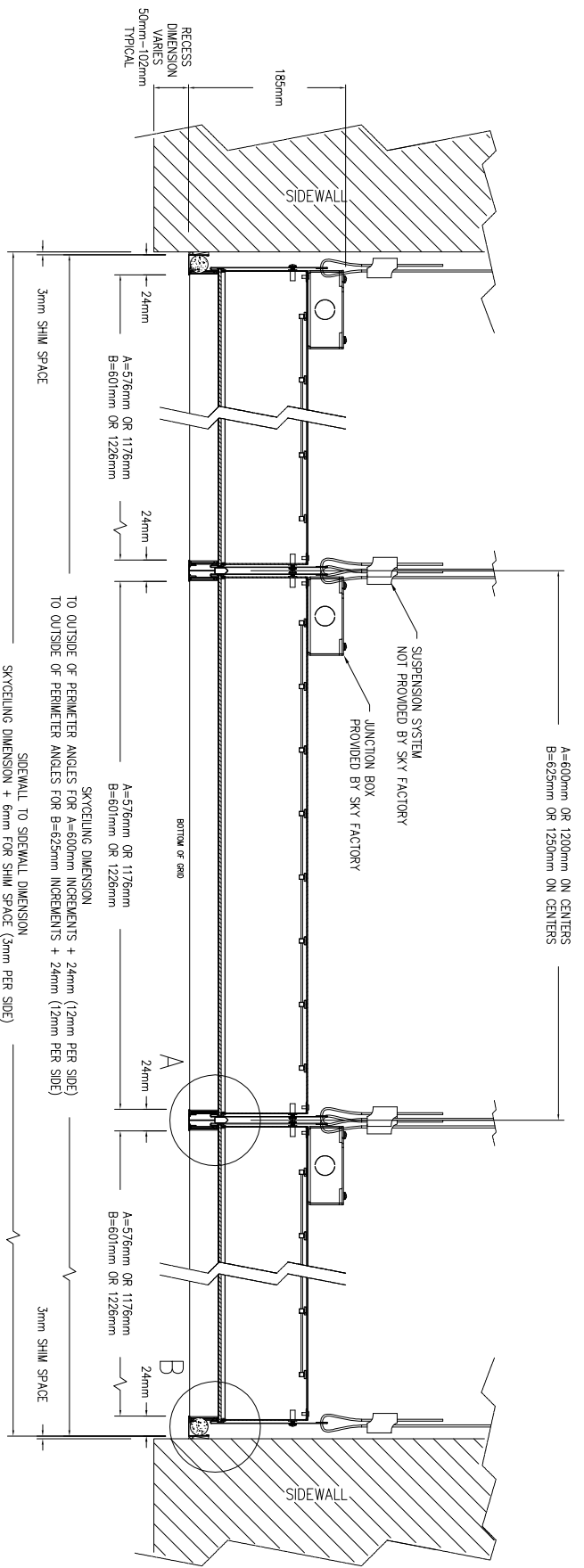
HARD CEILING

CROSS SECTION - IMPERIAL

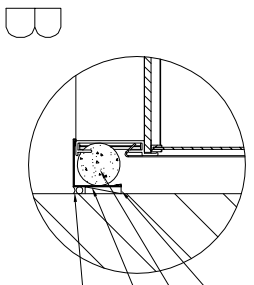
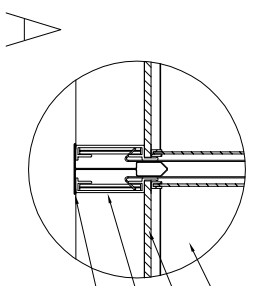
DRAWN BY		DATE CREATED	
RA	RA	05-23-16	
REVISIONS			
DATE	COMMENTS		
06-15-17	RA		
05-15-18	RA		
02-07-20	RA		

XSI

SHEET 1 OF 1



NOTE:
 A (METRIC) = 600mm & 1200mm GRID SYSTEM
 B (METRIC) = 625mm & 1250mm GRID SYSTEM



PRODUCT

CLASSIC ECOPLUS LUMINOUS SKYCEILING

HARD CEILING

CROSS SECTION - METRIC

Sky Factory
 PO BOX 1177
 Fairfield, Iowa 52556
 Phone: 641-472-1747
 www.TheSkyFactory.com

REVISIONS	DATE	DATE CREATED
DATE	RA	COMMENTS
06-15-17	RA	
05-15-18	RA	
02-07-20	RA	

DRAWN BY: RA DATE CREATED: 05-23-16

XSI

SHEET 1 OF 1