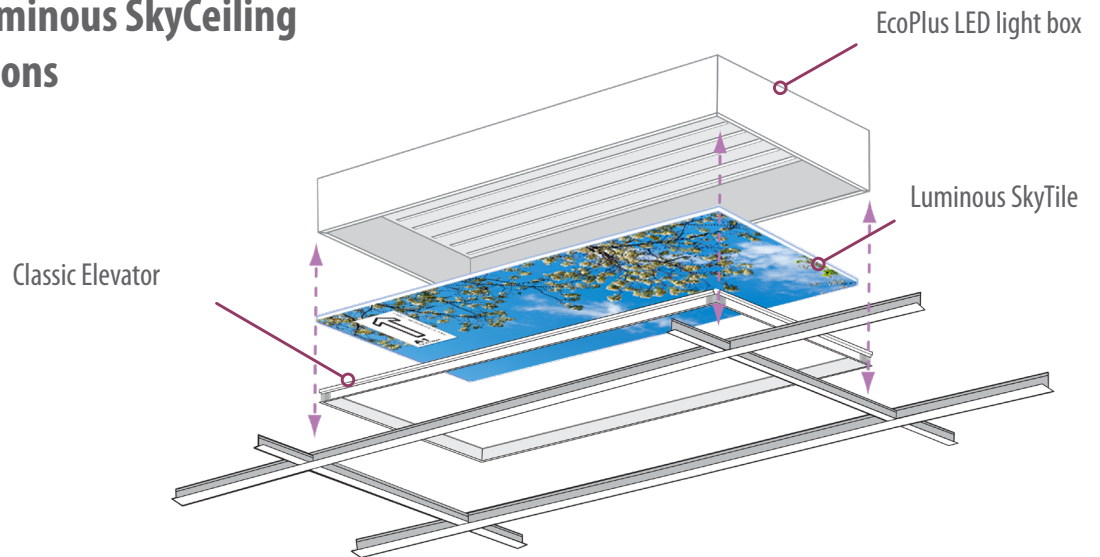




## Classic w/ EcoPlus Luminous SkyCeiling Installation Instructions (EP24 Folded)



### Installation Packet Includes:

Classic w/ EcoPlus Luminous SkyCeiling Installation Instructions (EP24 Folded)

Drop Ceiling and Soffit Cross-Sections included on pages 9 - 12

Installation specific Grid Plan GR1 (where applicable)

One of three electrical instructions:

- Classic w/ EcoPlus Electrical Packet (24PS HLG)
  - Classic w/ EcoPlus Electrical Instructions (24PS HLG)
  - EcoPlus and EcoSlim Drawings and Charts (24PS HLG)
- Classic w/ EcoPlus Electrical Instructions (HLG)
- Classic w/ EcoPlus Electrical Instructions (Fixture Only)

Luminous SkyTile Installation and SkyTile Layout (included with the SkyTiles)

EcoSlim and EcoPlus Luminous SkyCeiling Maintenance

For technical support at any time during the installation, please call us **toll free at 866-759-3228**.  
We want your installation to go as smoothly as possible. Thank you for choosing Sky Factory.

## Classic w/ EcoPlus Specifications:

### Ceiling Grids

Each fixture is built specifically for one of these standard ceiling grid systems:

**EP24 Series EP24** - 2' x 4', 15/16"    **EP24M** - 60cm x 120cm, 24mm    **EP24G** - 62.5cm x 125cm, 24mm

EP24 Series can be grouped with EP22 Series fixtures.

NOTE: For custom sizes, see **Custom Applications** below

### Ceiling Openings

Access above ceiling is required. Not for use in air handling areas.

See Drop Ceiling and Soffit Cross Section drawings on pages 9 -12

### Clearance

Must have at least 7 1/2" (19.1cm) of clearance from the bottom of the grid to the deck above. See drawings on pages 9-12.

If not, call the Sky Factory for other options: 866-759-3228.

### Runners and Spanners

Grid must be installed level and square

Grid Hanger Straps (provided) must be used to accommodate fixtures in grid pocket. See Step 1

For all 15/16" and 24mm ceiling grids, be sure all adjacent runners (mains) are not supported in the same opening or it may interfere with installation and removal of the fixture.

### Fixture Suspension

Hanger brackets supplied to suspend fixtures from ceiling where required. See Step 2 and Step 5.

### Custom Applications

For installations with custom sizes, and/or custom soffit or grid openings, see also installation specific Grid Plan GR1 included (where applicable)

## Electrical Requirements:

EcoPlus light box when used in conjunction with the Sky Factory 24PS HLG Power System

- See Classic w/ EcoPlus Electrical Packet (24PS HLG)

EcoPlus light box when used with a Sky Factory provided HLG power supply

- See Classic w/ EcoPlus Electrical Instructions (HLG)

EcoPlus light box when used with a client-provided UL Listed or CE Compliant power supply

- See Classic w/ EcoPlus Electrical Instructions (Fixture Only)

*Electrical work must be performed by a qualified electrician who is familiar with DC lighting systems and must conform to all local and national codes.*

## Important! Before Starting

For standard 15/16" or 24mm ceiling grid without perimeter or edge angle:  
use "Classic EcoPlus Luminous SkyCeiling Drop Ceiling Cross Section" drawings on pages 9-10 as a reference and proceed with the installation instructions.

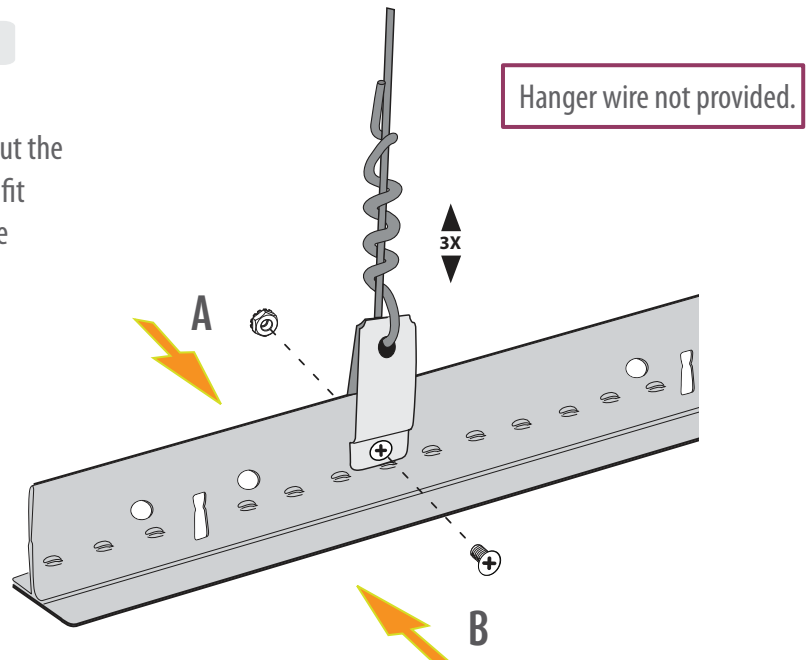
For standard 15/16" or 24mm ceiling grid with perimeter or edge angle:  
use "Classic EcoPlus Luminous SkyCeiling Soffit Cross Section" drawings on pages 11-12 as a reference and verify before beginning installation that the perimeter and/or soffit openings are the correct dimensions.

If your perimeter and/or soffit openings are not correct, please contact the Sky Factory before beginning the installation.

### Step 1: Install grid hanger straps

Grid Hanger Straps allow the grid to be supported without the hanger wire interfering with the installation and proper fit of the EcoPlus fixture. Straps are designed to bend at the center, fold down over the top bulb of the runner and fasten through one of the holes in the grid. Use the enclosed 8-32 x 1/4" (6.35mm) undercut flat head machine screws and Keps nuts to secure it. Grid wire goes through the hole in the strap just below the fold.

Where possible, support the runners in the middle of openings for ease of fixture installation.

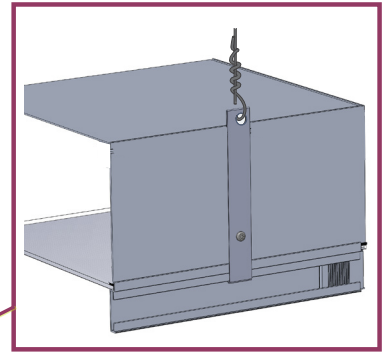


**⚠ Note:** Where possible, do not hang adjacent runners in the same 2' x 2', 60cm x 60cm, or 62.5cm x 62.5cm opening: installation of the fixtures may require one open side above the grid into which they can be temporarily inserted before dropping down into the grid pocket.

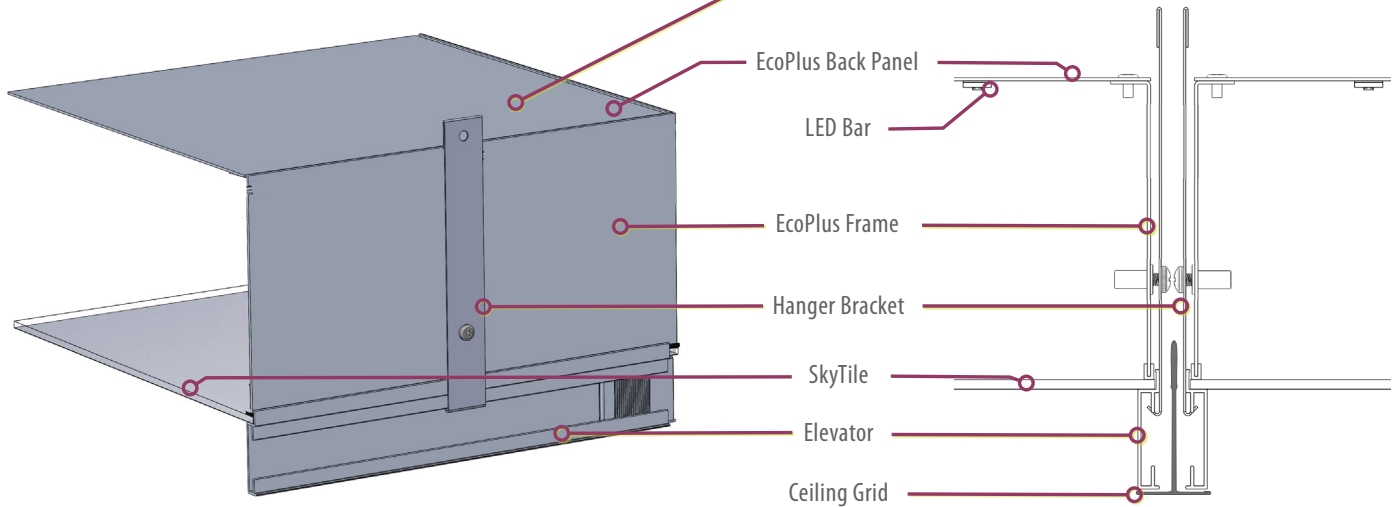
## Step 2: Fixture details

Hanger brackets are provided which hold the fixture together and provide suspension where required.

NOTE: See page 7 for installation details.



### Classic w/ EcoPlus components:



Hanger bracket locations and fasteners may vary for other models.

**NOTE:** For all EP24 fixtures, SkyTile is secured to Elevator with double sided 3M tape and cannot be removed.

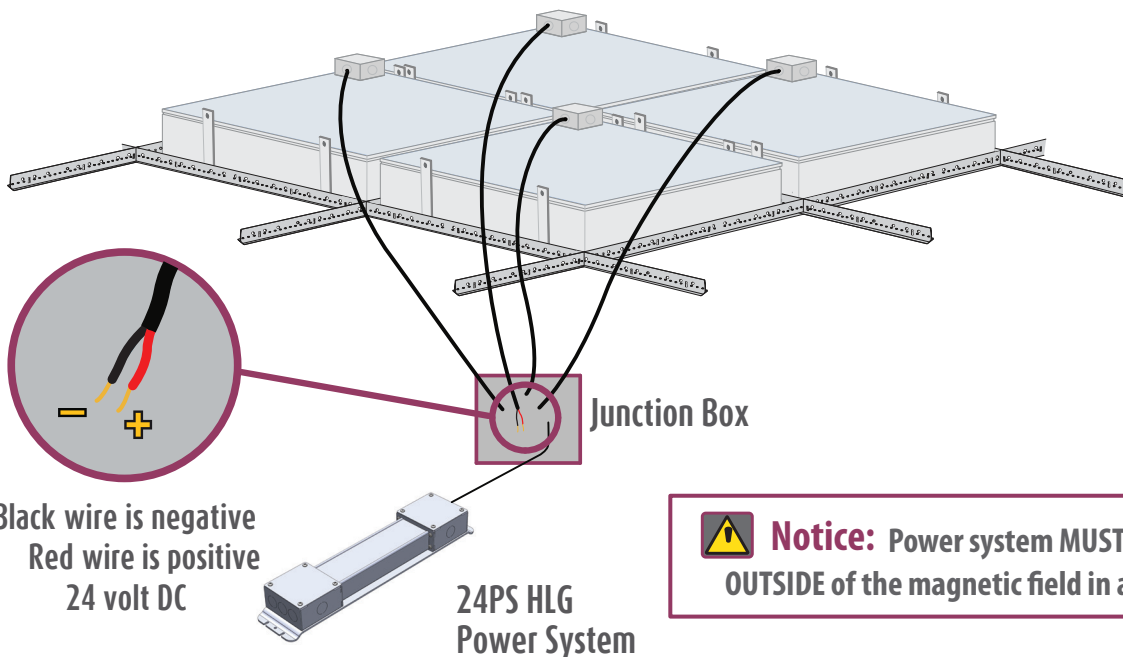
### Step 3: Determine the electrical layout

Accommodations for wiring must be made before the fixtures are installed. Refer to the Electrical Installation Instructions included with your packet.

All electrical work must conform to local and national codes.



**Notice:** The LED fixtures are 24DC ONLY.  
AC voltage connected directly to the fixtures  
will destroy the lighting system.



**Notice:** Power system **MUST** be installed  
**OUTSIDE** of the magnetic field in an MRI suite.

**Note:**

- If you are using a Sky Factory 24PS HLG Power System, make sure you have Classic w/ EcoPlus Electrical Packet (24PS HLG).
- If you are using a Sky Factory provided HLG power supply, make sure you have Classic w/ EcoPlus Electrical Instructions (HLG).
- If you are using a client provided, or client-specified UL Listed or CE Compliant power supply, make sure you have Classic w/ EcoPlus Electrical Instructions (Fixture Only).

## Step 4: Fixture and SkyTile orientation

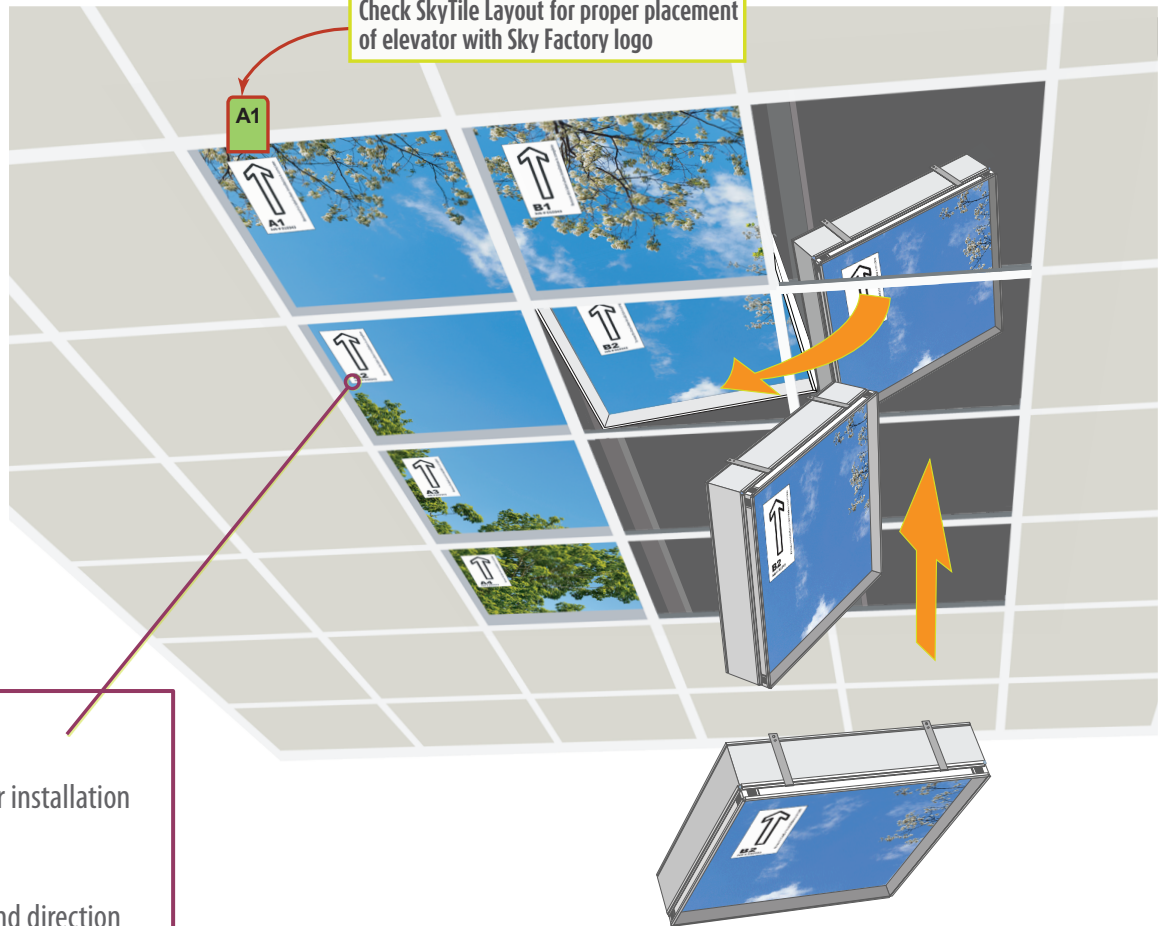
Fixtures **MUST** be installed so the SkyTiles fit the SkyTile Layout.  
See SkyTile Installation Instructions and SkyTile Layout included with the SkyTiles.

In all installations with more than one fixture, an elevator with logo is provided.

Elevator is installed in location noted on SkyTile Layout (included with SkyTiles).



Check SkyTile Layout for proper placement of elevator with Sky Factory logo



### **!** Important:

Quick release labels are for installation purposes only.

They orient the location and direction of each tile in the SkyCeiling.

Labels **MUST** be removed once the SkyTiles are fully installed and checked for proper orientation.

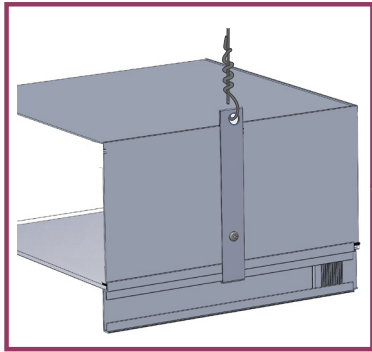
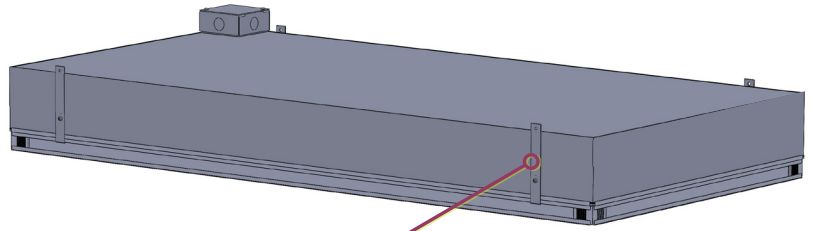
EP22 shown

## Step 5: Install fixtures

Fixture comes pre-assembled.

Hanger brackets secure Elevator to light box.

Brackets mount on opposite sides:  
6" (15.2cm) in from corners.



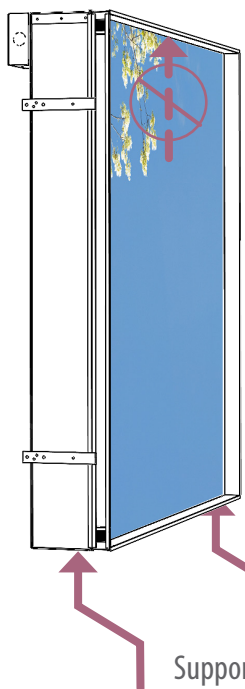
Hanger wire option shown.

Fixture inserts into grid  
much as you would a ceiling tile.



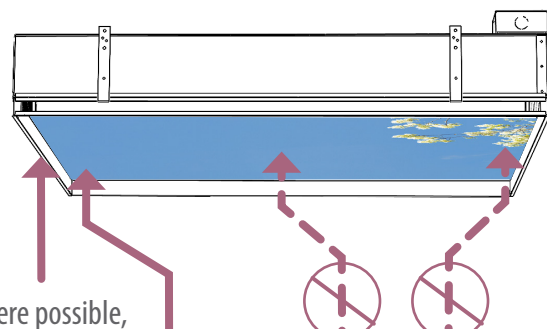
EP22 shown

### When handling fixtures:



DO NOT suspend  
fixture  
from Elevator

Support fixture  
from bottom



Where possible,  
lift from Elevator

If necessary,  
lift SkyTile  
in corners only

DO NOT lift  
fixture  
using middle of SkyTile

## Step 7: Check installation using Final Inspection list.

Do all the fixtures sit evenly in the grid?

- Hanger wire can force a fixture to sit off center. If so, re-attach the wire using a Grid Hanger Strap.
- If grid is not installed square, EcoPlus fixtures will sit unevenly in the opening. If so, adjust grid so it is square.

Are all the fixtures seated down on the grid flange?

- If fixtures are not seated on the flange, light leaks could result.

Is the image evenly lit?

- If there are shadows, dark spots, or bright lines on the image, clear off the back of the SkyTile.
- If one or more SkyTiles are dark, one or more EcoPlus light boxes are not working. Re-check wiring.

Does the SkyCeiling image match the SkyTile Layout image?

- Are the tiles in the correct position and orientation?
- If the SkyTile Layout has a head location, is the SkyCeiling properly oriented?

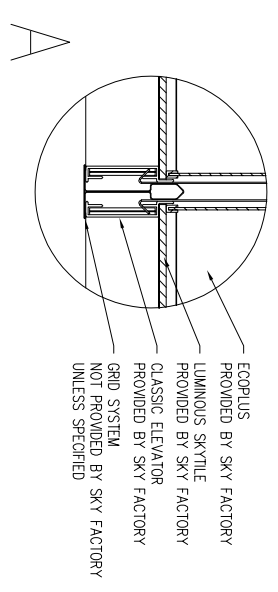
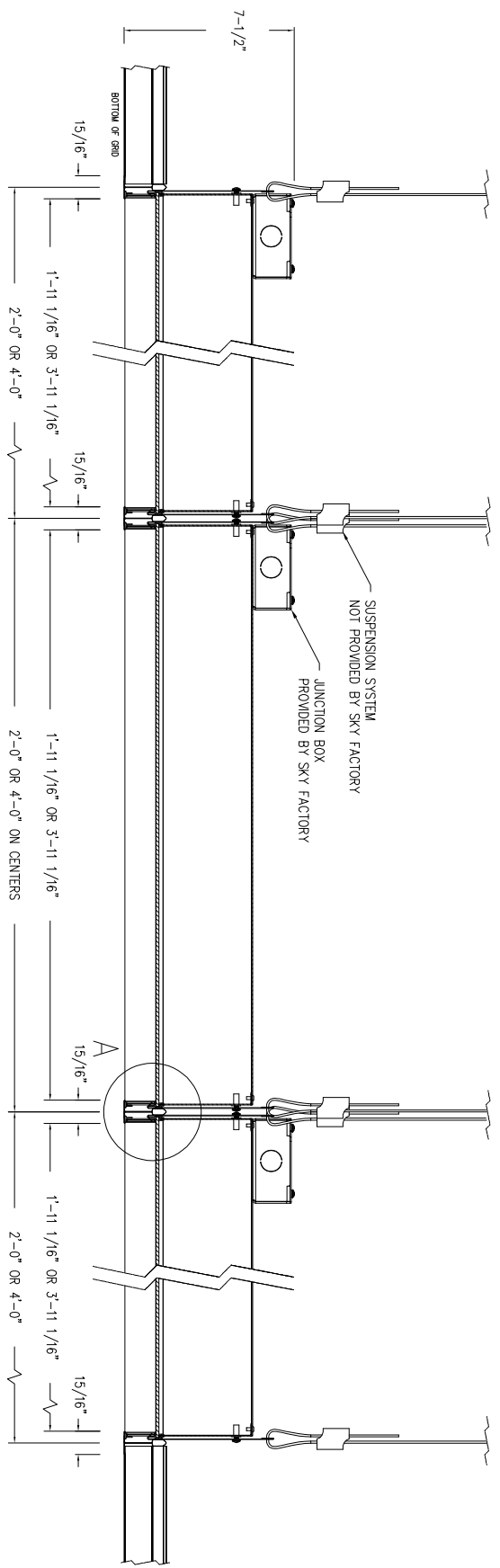
Is the elevator with logo in correct location?

- See SkyTile Layout for correct location.
- NOTE: Single 2x2 and 2x4 installations do not have logo.

Have the arrow-labels been removed once the image has been verified?

- Quick release labels **MUST** be removed once the SkyTiles are fully installed and checked for proper orientation.





**Sky Factory**  
 PO BOX 1177  
 Fairfield, Iowa 52536  
 Phone: 641-472-1747  
 www.SkyFactory.com

PRODUCT

# CLASSIC ECOPLUS LUMINOUS SKYCEILING

## TYPICAL GRID CEILING

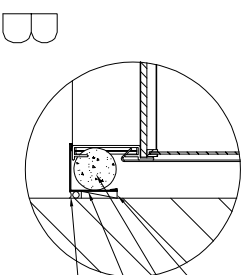
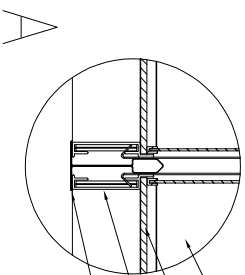
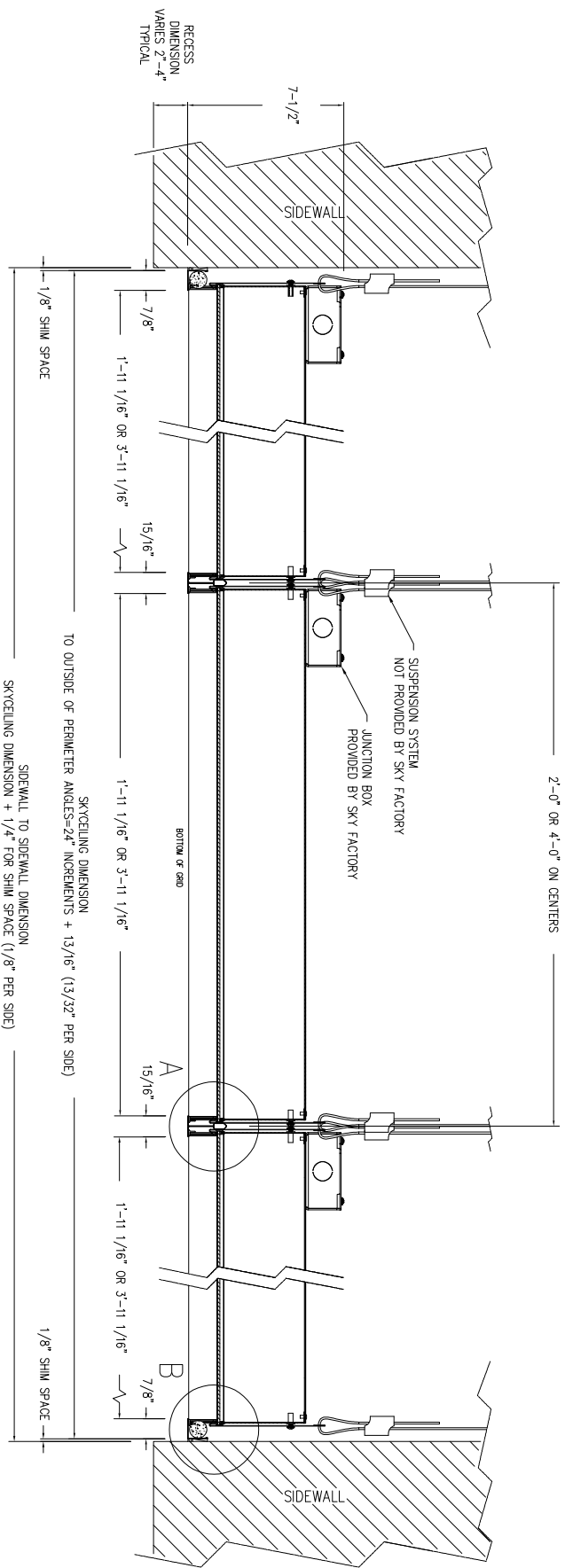
### CROSS SECTION - IMPERIAL

REVISIONS		DRAWN BY	RA	DATE CREATED
DATE	COMMENTS			05-23-16
06-15-17	RA			
11-08-21	EP24 FOLDED			
03-23-22	EP24 FLDD			

**X S 1**

SHEET 1 OF 1





ECOPLUS  
 PROVIDED BY SKY FACTORY  
 LUMINOUS SKYTILE  
 PROVIDED BY SKY FACTORY  
 CLASSIC ELEVATOR  
 PROVIDED BY SKY FACTORY  
 GRID SYSTEM  
 NOT PROVIDED BY SKY FACTORY  
 UNLESS SPECIFIED

1/8" SHIM  
 NOT PROVIDED BY SKY FACTORY  
 FOAM BACKER ROD  
 PROVIDED BY SKY FACTORY  
 PERIMETER EDGE ANGLE  
 NOT PROVIDED BY SKY FACTORY  
 UNLESS SPECIFIED  
 CAULK  
 NOT PROVIDED BY SKY FACTORY



PO BOX 1177  
 Fairfield, Iowa 52556  
 Phone: 641-472-1747  
 www.TheSkyFactory.com

PRODUCT

**CLASSIC ECOPLUS LUMINOUS SKYCEILING**  
**HARD CEILING**  
**CROSS SECTION - IMPERIAL**

DRAWN BY		DATE CREATED	
RA	RA	05-23-16	
REVISIONS		COMMENTS	
DATE	BY	DESCRIPTION	
06-15-17	RA	EP24 FOLDED	
11-08-21		EP24 FOLDED	
03-23-22		EP24 FLUDD	

**XSI**

SHEET 1 OF 1

