

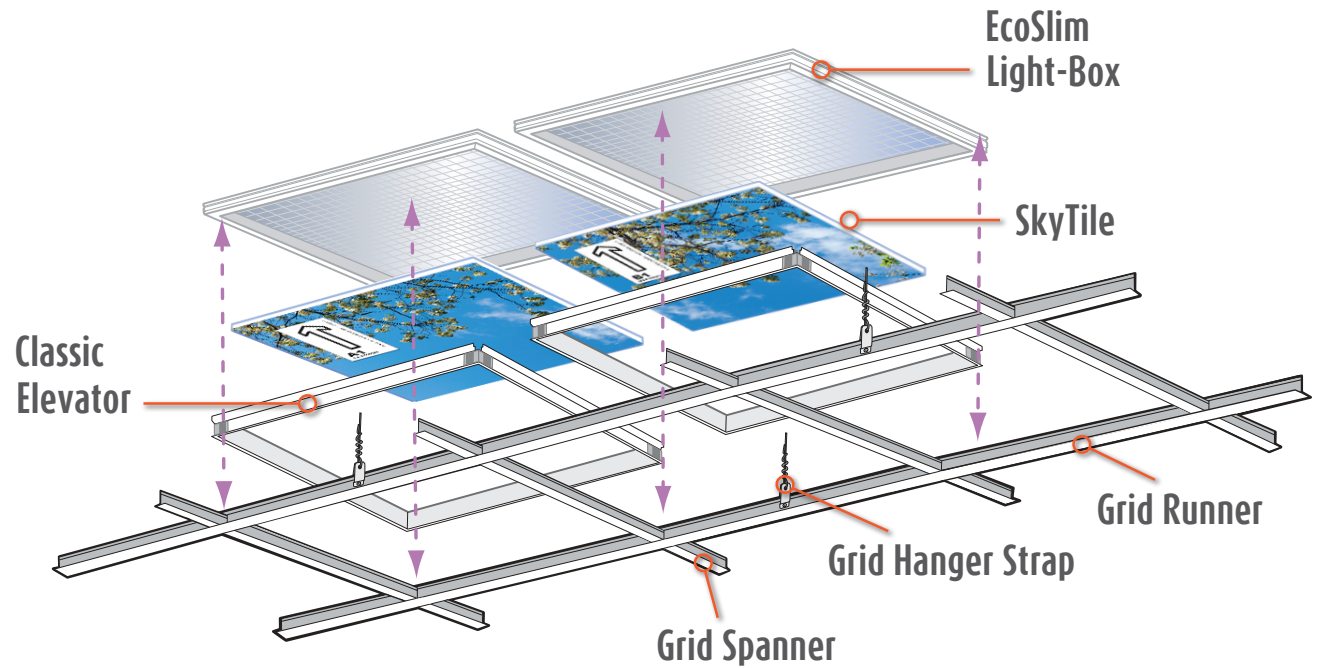
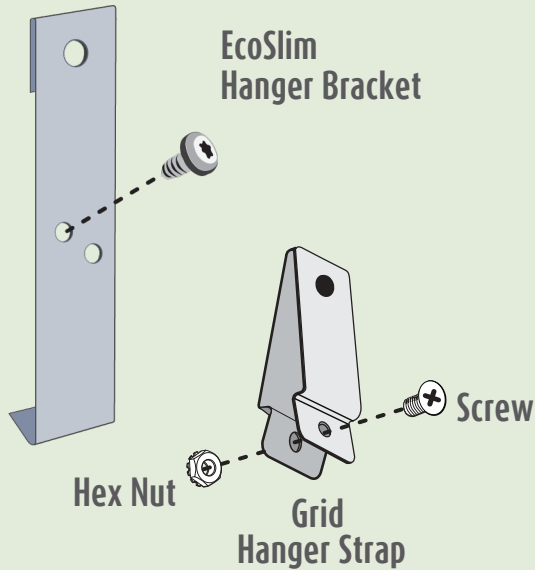
Classic Ecoslim SkyCeiling Quick Start Guide



LED

For 15/16" or 24mm grid systems
For soffits, reference Installation Instructions

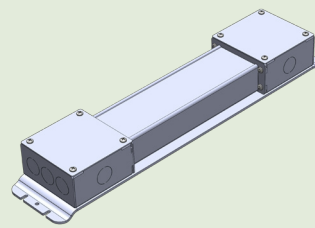
Basic Components



SkyTile Layout



Gloves



Power System



Instruction Packet



Dimmer Switch optional

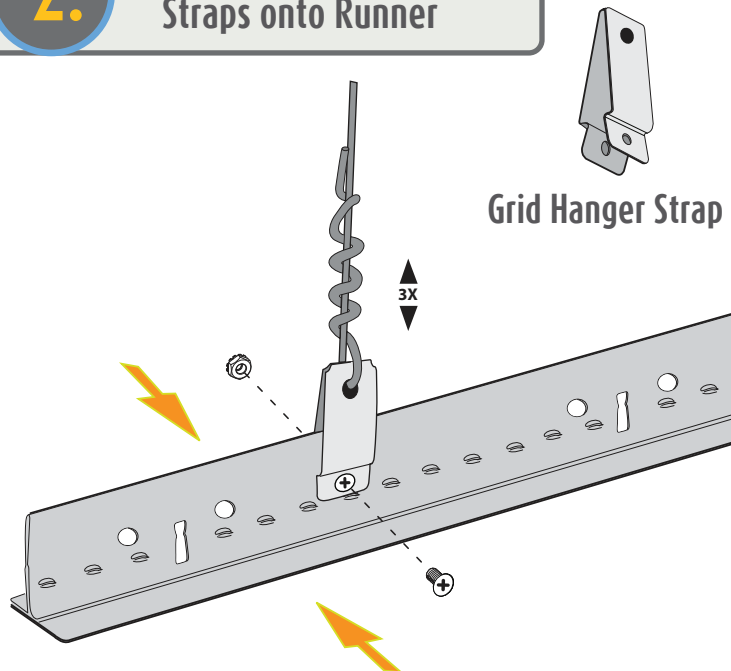


Sky Factory Switchplate Label

Installation Overview

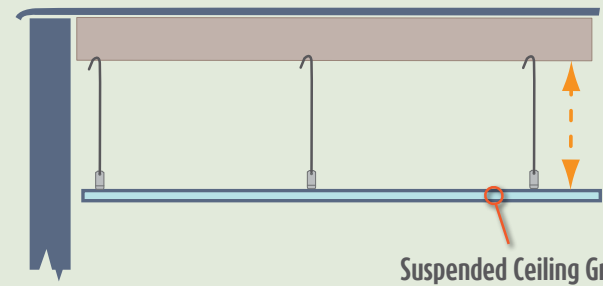
1. Determine Installation Method
2. Install Grid Hanger Straps onto Runners
3. Important Details
4. EcoSlim Installation
5. **Option A** Install Pre-Assembled Fixtures
6. **Option B** Assemble Components during Installation
7. Check Installation using Final Inspection Checklist

2. Install Grid Hanger Straps onto Runner



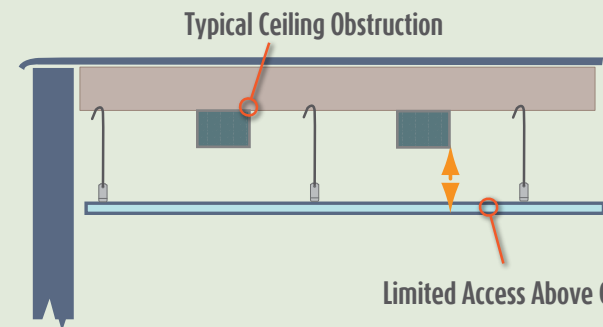
1.

Determine Installation Method



from
6 3/4 in. (17 cm)
to 9 in. (23 cm)
or MORE
clearance

Option A : PreAssembled

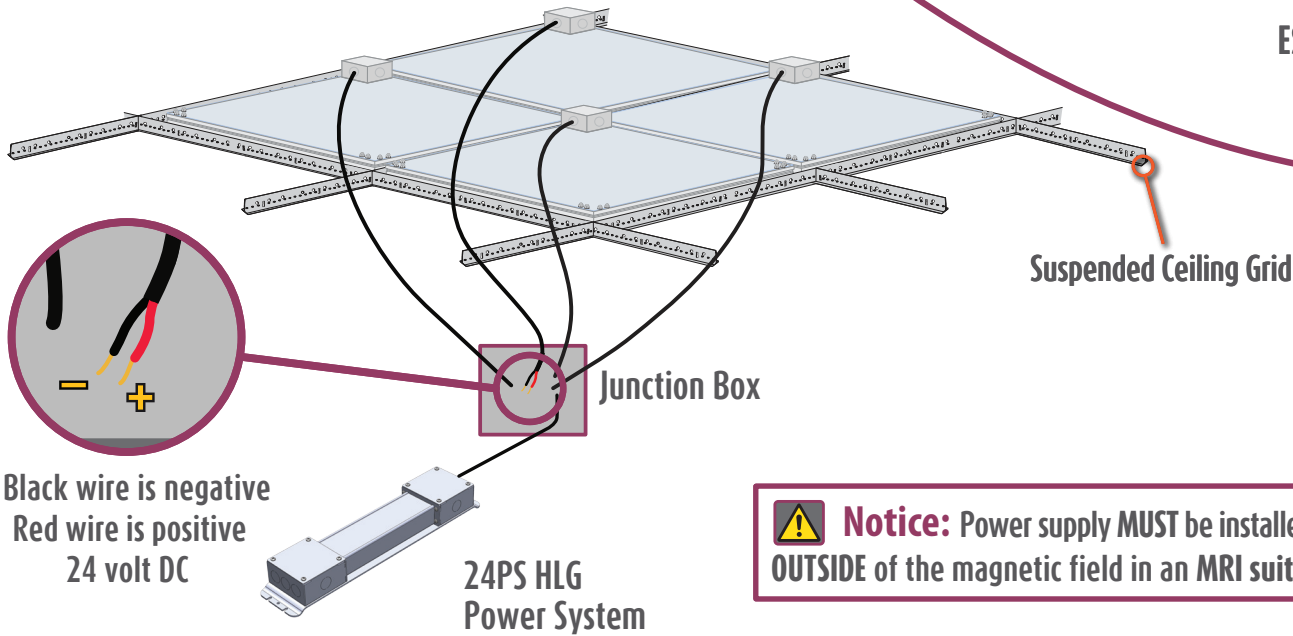
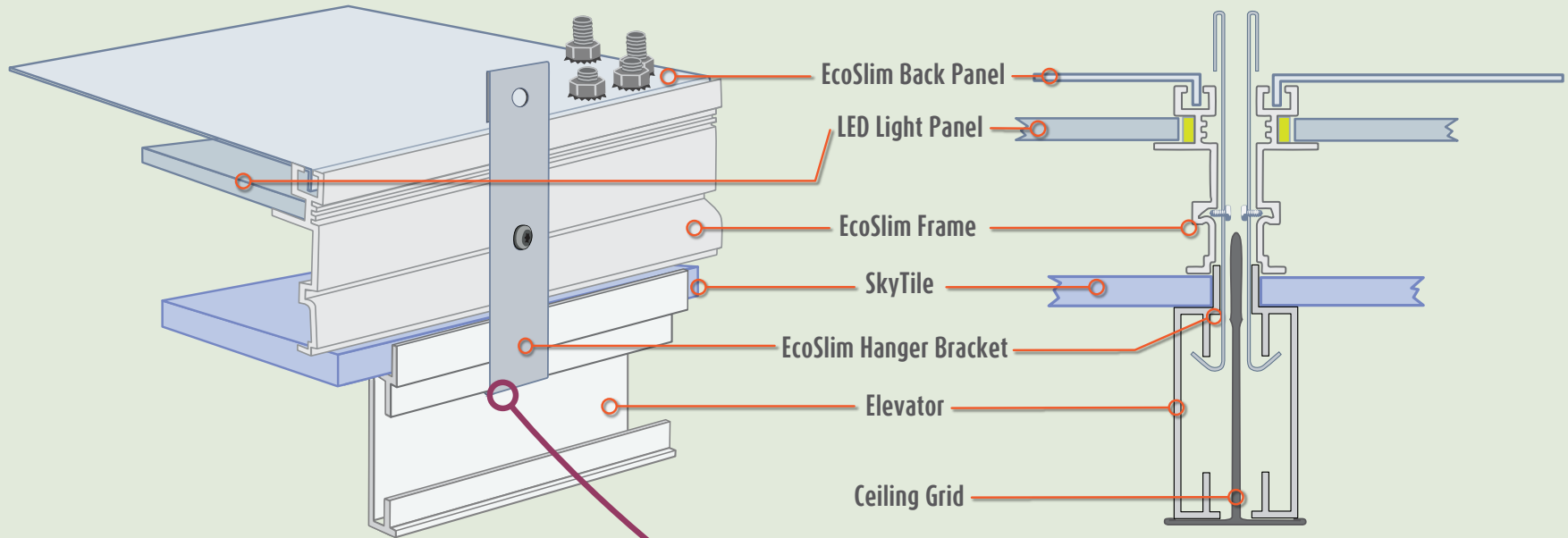


from
5 1/8 in. (13 cm)
clearance

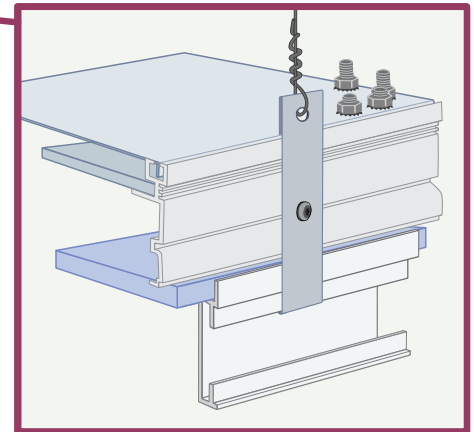
Option B : Separate Components

3.

Important Details

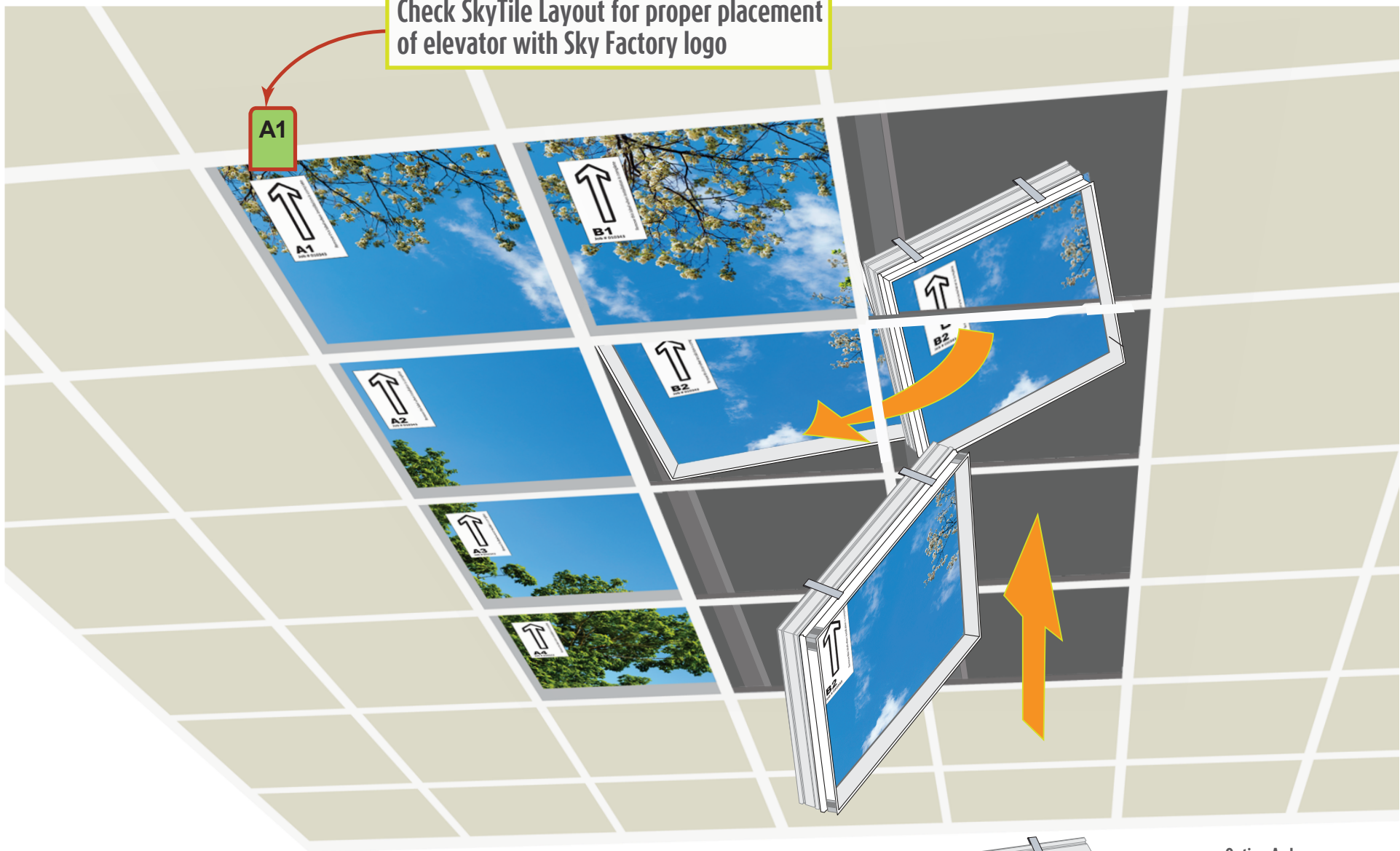


Brackets mounted on opposite sides
ES22 Series: 2 per side ES24 Series: 3 per long side
4" from corners/3rd one centered



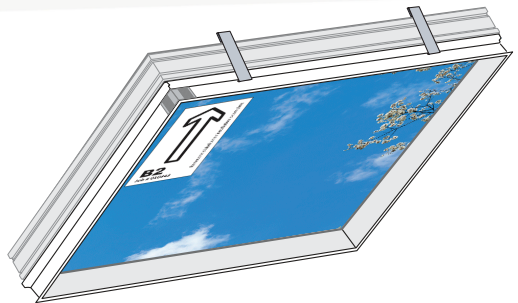
⚠ Notice: Power supply **MUST** be installed **OUTSIDE** of the magnetic field in an MRI suite.

Check SkyTile Layout for proper placement of elevator with Sky Factory logo



Option A shown

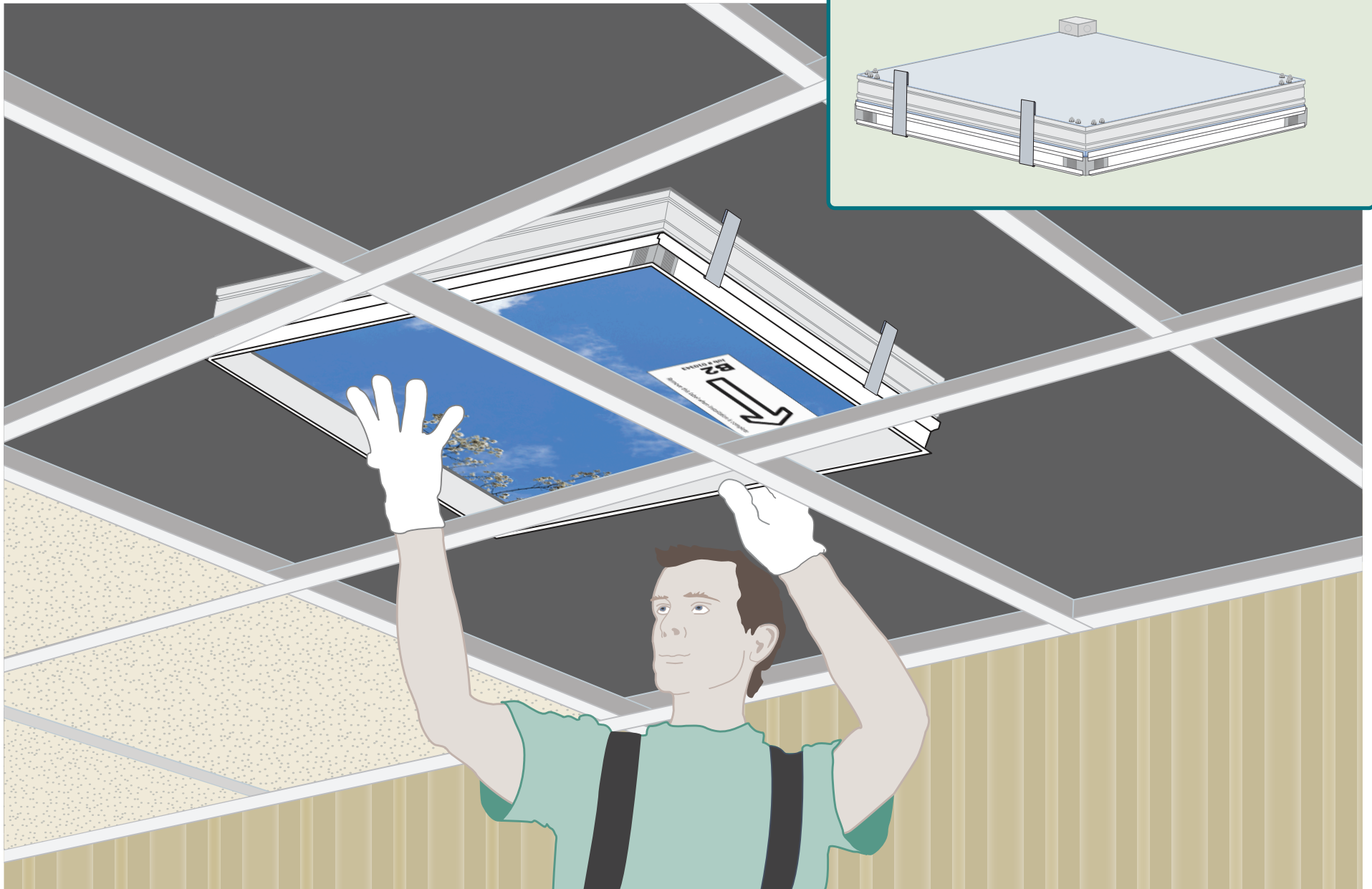
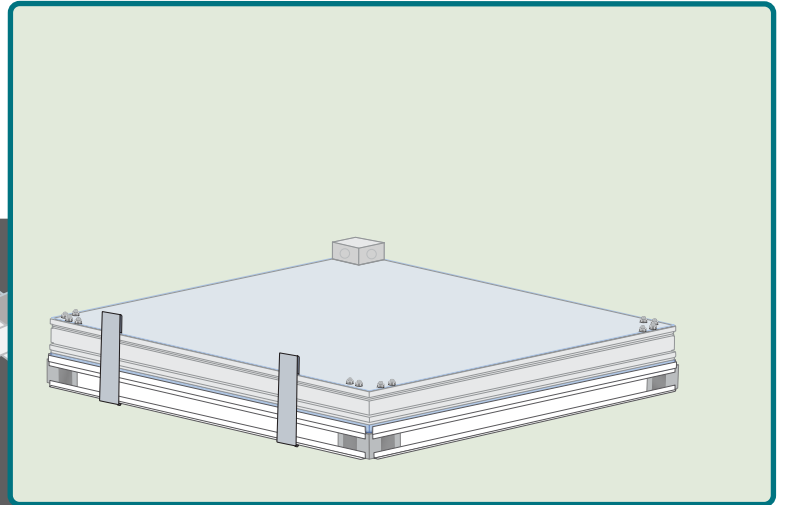
4. EcoSlim Installation



5.

Option A

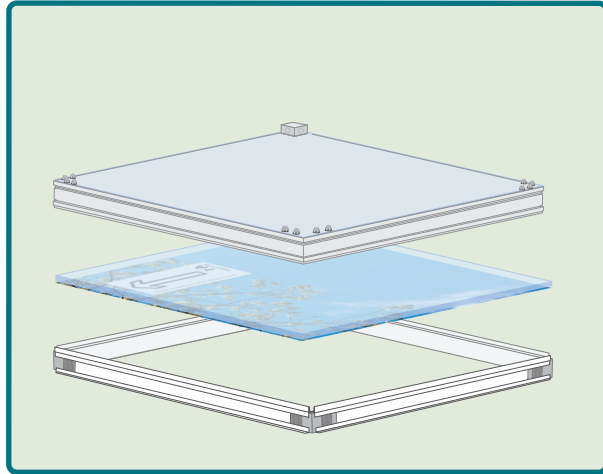
Install Pre-Assembled Fixtures



6.

Option B

Assemble Components during Installation



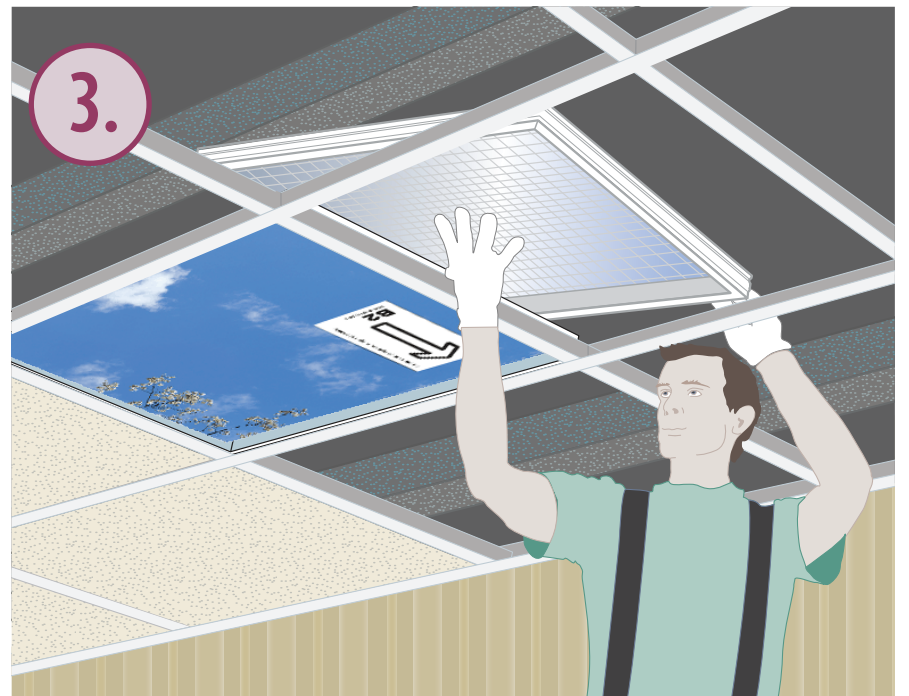
1.

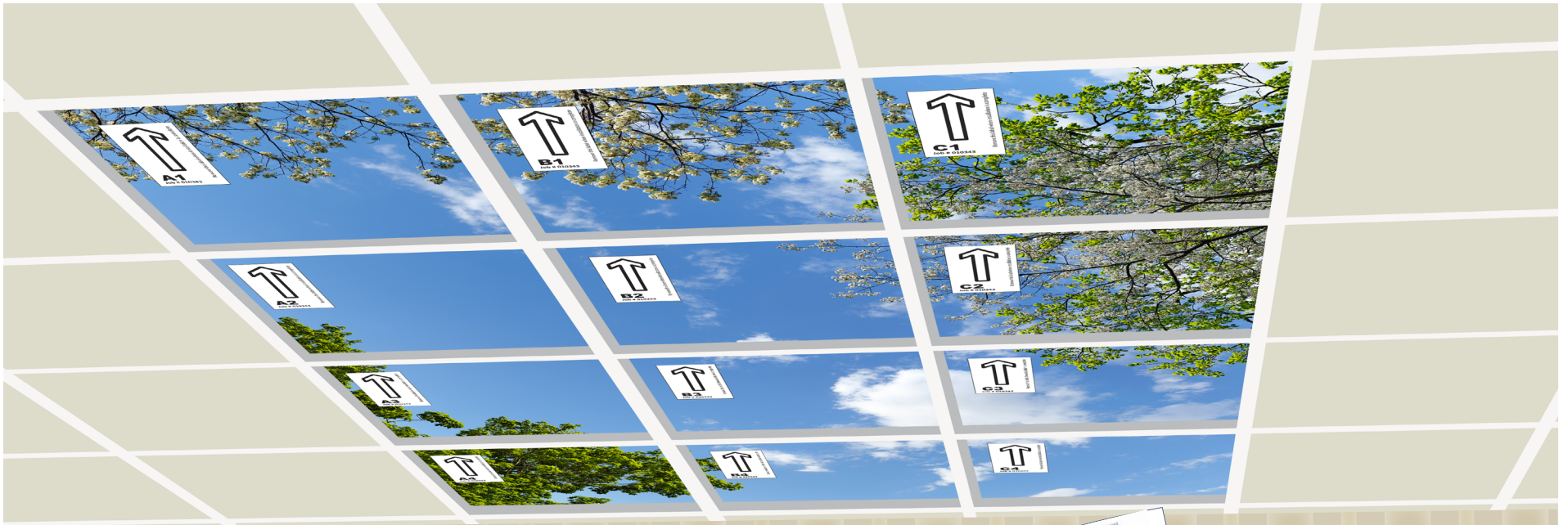


2.



3.



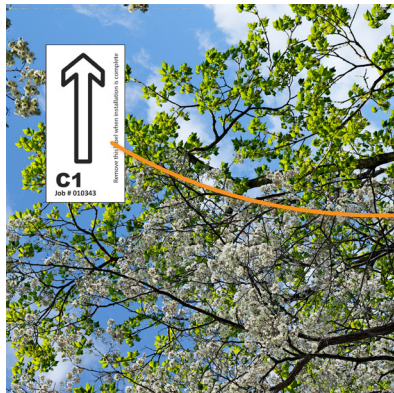


7. Check installation using Final Inspection Checklist





Final Inspection Checklist



- Do all the EcoSlim fixtures sit evenly in the grid?
Hanger wire can force a fixture to sit off center.
If so, re-attach the wire using a Grid Hanger Strap.
- If grid is not installed square, EcoSlim fixtures will sit unevenly in the opening.
If so, adjust grid so it is square.
- Are all the fixtures seated down on the grid flange?
If fixtures are not seated on the flange, light leaks could result.
- Is the image evenly lit?
If there are shadows, dark spots, or bright lines on the image, clear off the back of the SkyTile.
If one or more SkyTiles are dark, one or more EcoSlim fixtures are not working.
Re-check wiring.
- Does the SkyCeiling image match the SkyTile Layout image?
Are the tiles in the correct position and orientation?
If the SkyTile Layout has a head location, is the SkyCeiling properly oriented?
- Is the elevator with logo in correct location?
See SkyTile Layout for correct location.
Note: Single 2x2 and 2x4 installations do not have logo.
- Have the arrow-labels been removed once the image has been verified?
- Make sure to apply the Sky Factory label to your switchplate.
This will help ensure knowledge of who to contact with any questions or comments far into the future.



Call 866.759.3228
for technical support.