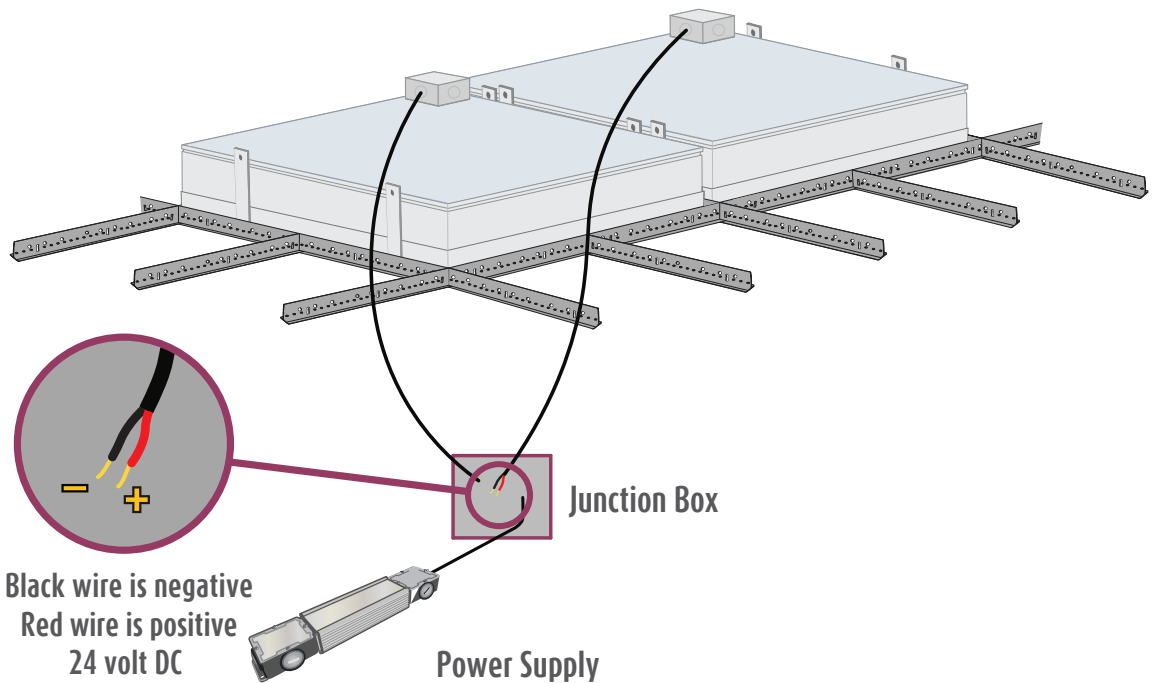


## Revelation w/ EcoPlus Electrical Instructions (HLG)



### Installation Instructions includes:

Revelation w/ EcoPlus Electrical Instructions (HLG)

Wiring Diagram EL001391, EL001428 & EL001453

Installation specific wiring diagram (where applicable)

For technical support at any time during the installation, please call us **toll free at 866-759-3228**.  
We want your installation to go as smoothly as possible. Thank you for choosing Sky Factory.

## Revelation w/ EcoPlus Electrical Requirements:

EP24 Series = EP24, EP26M, EP24G

EP26 Series = EP26, EP26M, EP26G

EP33 Series = EP33, EP33M, EP33G

EP34 Series = EP34, EP34M, EP34G

EP36 Series = EP36, EP36M, EP36G

EP44 Series = EP44, EP44M, EP44G

EP46 Series = EP46, EP46M, EP46G

EP55 Series = EP55, EP55M, EP55G

NOTE: For custom sizes, see installation specific wiring diagram included (where applicable)

All EcoPlus fixtures are 24V DC only.

EcoPlus fixtures must be powered only by provided UL Recognized, CE Compliant 24V DC power supply

Dry locations only.

For installations with multiple power supplies, see

installation specific wiring diagram included (where applicable)

For installations with one or more custom sizes, see

installation specific wiring diagram included (where applicable)

RF filter, if used, is not provided by Sky Factory.

Sky Factory provided external dimmable power supply:

Input (Typ) 90-305V, 47 - 63 Hz

Output 24V DC

UL (U.S. and Canada) Recognized and CE Compliant

Maximum Watts (useable) per power supply: 600 Watts

Available sizes: 40W, 60W, 80W, 100W, 120W, 150W, 185W, 240W, 320W, 480W, 600W

AC input wire sizes: 17 AWG on 40-600W

DC output wire sizes: 17 AWG on 40-240W,480W; 14 AWG on 320W,600W

Dimmer wire sizes: 20 AWG on 40-480W; 18 AWG on 600W

Power supply must have 2" clearance for air flow. A 4-6" (10-15cm) clearance must be kept when the adjacent device is a heat source

Power supply must be mounted in dry locations. Wall mount recommended.

Surface mountable

## Revelation w/ EcoPlus Electrical Requirements (cont'd):

Sky Factory provided dimmer control (where specified):

Lutron Diva DVSTV 0 - 10V dimmer/switch (UL & CSA compliant)

Input: auto-ranging 120 - 277V AC

Mounts in standard single-gang electrical box

White standard, other colors available on request

Lutron Diva DVTV 0 - 10V dimmer/switch and PP-DV power pack (UL & CSA compliant)

Input: auto-ranging 120 - 277V AC

Lutron Diva mounts in standard single-gang electrical box

White standard, other colors available on request

Jung 240-10 dimmer/switch and external relay where specified (CE compliant)

Input: 230 - 240V AC

Installs in appliance box to DIN 49073

Helvar TK4 140 dimmer/switch (CE compliant)

Input: 220 - 240V AC

Mounts in standard UK or DIN back box

For dimming requirements, see page 6

For dimmer wiring diagrams, see dimmer control (and relay where specified) and wiring diagrams included

*Electrical work must be performed by a qualified electrician who is familiar with DC lighting systems and must conform to all local and national codes.*

## Non-Dimmable and Dimmable Certification:

ES22 Series, ES24 Series, ES26 Series, ES33 Series, ES34 Series, ES36 Series, ES44 Series, ES46 Series, ESCST Series, EP22 Series, EP24 Series, EP26 Series, EP33 Series, EP34 Series, EP36 Series, EP44 Series, EP46, EP55 Series and EPCST Series fixtures when used with 24PS HLG Power System UL, CSA and CE Listed by Intertek Group plc

## Step 1: Wiring the Revelation fixtures to the power supply

See wiring diagrams on pages 7-9 and installation specific wiring diagram included (where applicable)

EcoPlus Lighting System - EP24 to EP55 Series				
TSF Model No.	Light Box Dimensions and Weight Only		System Wattage (Max)	Input Current @ 24 Volts DC
	WxLxH	Weight		
EP24	22.8125 x 46.8125 x 5.85 (inches)	10.2 lb	47.1	1.96A
EP26	22.8125 x 70.8125 x 5.85 (inches)	16.7 lb	69.1	2.88A
EP33	34.8125 x 34.8125 x 5.85 (inches)	12.6 lb	51.8	2.16A
EP34	34.8125 x 46.8125 x 5.85 (inches)	15.9 lb	69.1	2.88A
EP36	34.8125 x 70.8125 x 5.85 (inches)	22.4 lb	103.7	4.32A
EP44	46.8125 x 46.8125 x 5.85 (inches)	19.9 lb	92.2	3.84A
EP46	46.8125 x 70.8125 x 5.85 (inches)	27.8 lb	138	5.75A
EP55	58.0625 x 58.0625 x 5.85 (inches)	28.9 lb	144	6.0A
EP24M	57 x 117 x 14.86 (cm)	4.5 kg	47.1	1.96A
EP26M	57 x 177 x 14.86 (cm)	7.4 kg	69.1	2.88A
EP33M	87 x 87 x 14.86 (cm)	5.6 kg	51.8	2.16A
EP34M	87 x 117 x 14.86 (cm)	7.2 kg	69.1	2.88A
EP36M	87 x 177 x 14.86 (cm)	9.9 kg	103.7	4.32A
EP44M	117 x 117 x 14.86 (cm)	8.8 kg	92.2	3.84A
EP46M	117 x 177 x 14.86 (cm)	12.3 kg	138	5.75A
EP55M	147 x 147 x 14.86 (cm)	12.8 kg	144	6.0A
EP24G	59.5 x 122 x 14.86 (cm)	4.8 kg	47.1	1.96A
EP26G	59.5 x 184.5 x 14.86 (cm)	7.9 kg	69.1	2.88A
EP33G	90.8 x 90.8 x 14.86 (cm)	5.9 kg	51.8	2.16A
EP34G	90.8 x 122 x 14.86 (cm)	7.5 kg	69.1	2.88A
EP36G	90.8 x 184.5 x 14.86 (cm)	10.6 kg	103.7	4.32A
EP44G	122 x 122 x 14.86 (cm)	9.4 kg	92.2	3.84A
EP46G	122 x 184.5 x 14.86 (cm)	13.1 kg	138	5.75A
EP55G	153.8 x 153.8 x 14.86 (cm)	13.7 kg	144	6,0A

NOTE: For custom sizes, see also installation specific wiring diagram included (where applicable)



**Notice:** The LED fixtures are 24V DC ONLY.

AC voltage connected directly to the fixtures  
will destroy the lighting system.

## Step 1 continued

Fixtures are wired together in single or multiple circuits.

Each circuit is dedicated to a single power system and may be arranged in rows or clusters, depending on installation.

A junction box with 1/2" trade size knock-outs is attached on top corner of each fixture.

- Power leads inside fixture junction box are polarized, red (+) and black (-).
- Larger fixtures may have two sets of leads. When making connections, leads are wired together red (+) to red (+) and black (-) to black (-) unless otherwise specified.
- Where fixtures have multiple junction boxes, see installation specific wiring diagram included.
- Fixture wire size 18 AWG stranded.

Wiring from fixtures to V DC side of provided power supply is polarized, positive (+) to positive (+) and negative (-) to negative (-):

EcoPlus fixture red "+" to power supply **Vo+**

EcoPlus fixture black "-" to power supply **Vo-**

For power supply V DC wire size, see wiring diagrams included

HLG-480H-24B and HLG-600H-24B have two sets of output leads. Meanwell recommends loading no more than:

240 Watts on each set of cables for HLG-480H-24B

480 Watts on each set of cables for HLG-600H-24B

Wire and additional junction boxes from the fixtures to the power supply provided by others.

Wire gauge must conform to local and national codes. Voltage drop of no more than 3% is recommended.

## Step 2: Wiring the power supply to source V AC

Run power to V AC side of the power supply.

Load to power supply **ACL**

Neutral to power supply **ACN**

Ground to power supply  **(GREEN/YELLOW)**

Wire gauge must conform to local and national codes.

Install the power switch on the V AC input side of the power supply.

### Step 3: Dimming requirements

Contact the Sky Factory if you plan on using a dimming system provided by others.



**Notice:** Dimming using non-approved systems may permanently damage LED's and will void the warranty!

#### Wiring a Sky Factory provided dimmer control:

To wire the 0-10V dimmer control (and external relay where specified), refer to wiring diagram included with dimmer and relay and wiring diagrams included.

### Step 4: Checking the polarity



**Notice:** CHECK THE POLARITY BEFORE TURNING ON POWER. MAKE SURE:

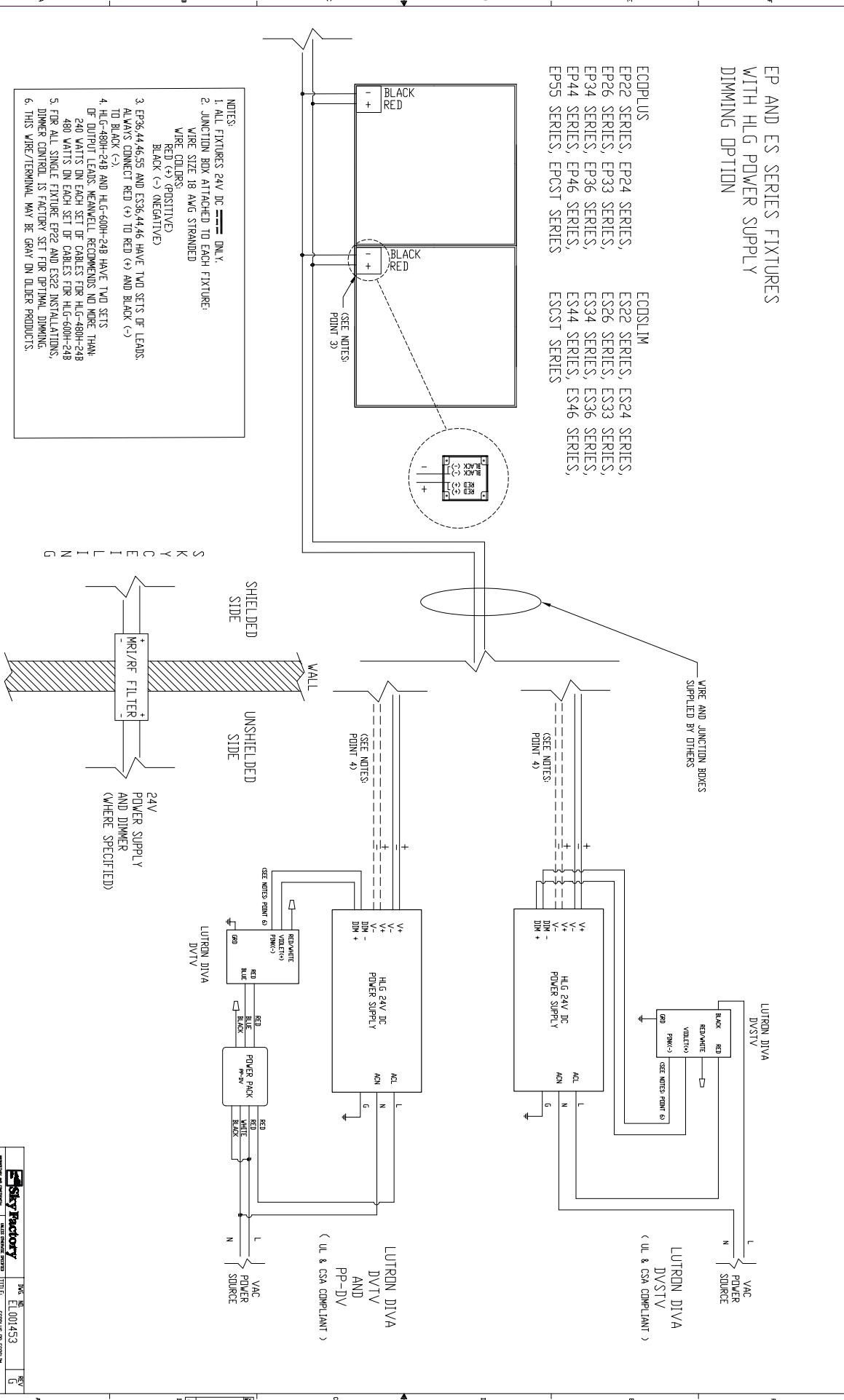
Red wires on the fixtures go to the "+" terminals of the power supply

Black wires on the fixtures go to the "-" terminals of the power supply

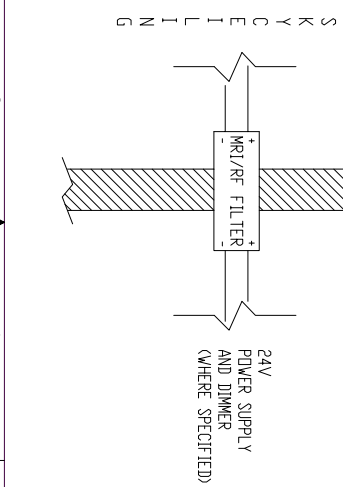
**IF THE SYSTEM IS WIRED BACKWARD, IT WILL DESTROY THE LED'S!**

EP AND ES SERIES FIXTURES  
WITH HLG POWER SUPPLY  
DIMMING OPTION

- ECODPLUS**  
EP22 SERIES, EP24 SERIES,  
EP26 SERIES, EP33 SERIES,  
EP34 SERIES, EP36 SERIES,  
EP44 SERIES, EP46 SERIES,  
EP55 SERIES, EP57 SERIES
- ECOSLIM**  
ES22 SERIES, ES24 SERIES,  
ES26 SERIES, ES33 SERIES,  
ES34 SERIES, ES36 SERIES,  
ES44 SERIES, ES46 SERIES,  
ES57 SERIES



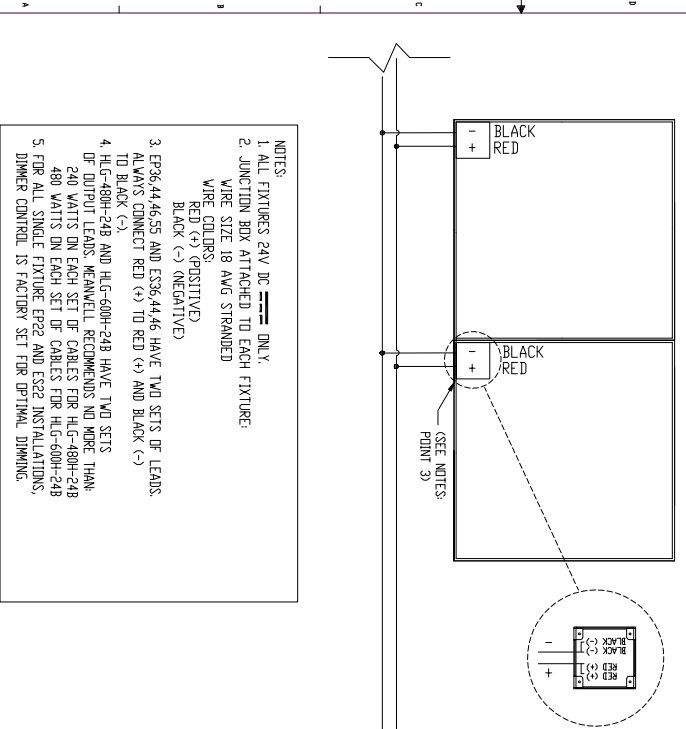
- NOTES:
1. ALL FIXTURES 24V DC ONLY.
  2. JUNCTION BOX ATTACHED TO EACH FIXTURE:  
WIRE SIZE: 18 AWG STRANDED  
WIRE COLORS:  
RED (+) (POSITIVE)  
BLACK (-) (NEGATIVE)
  3. EP36, 44, 46, 55 AND ES36, 44, 46 HAVE TWO SETS OF LEADS. ALWAYS CONNECT RED (+) TO RED (+) AND BLACK (-) TO BLACK (-).
  4. HLG-600H-248 AND HLG-600H-248 HAVE TWO SETS OF 240 WATTS ON EACH SET OF CABLES FOR HLG-600H-248 480 WATTS ON EACH SET OF CABLES FOR HLG-600H-248. DIMMER CONTROL IS FACTORY SET FOR OPTIMAL DIMMING. THIS WIRE/TERMINAL MAY BE GRAY ON OLDER PRODUCTS.



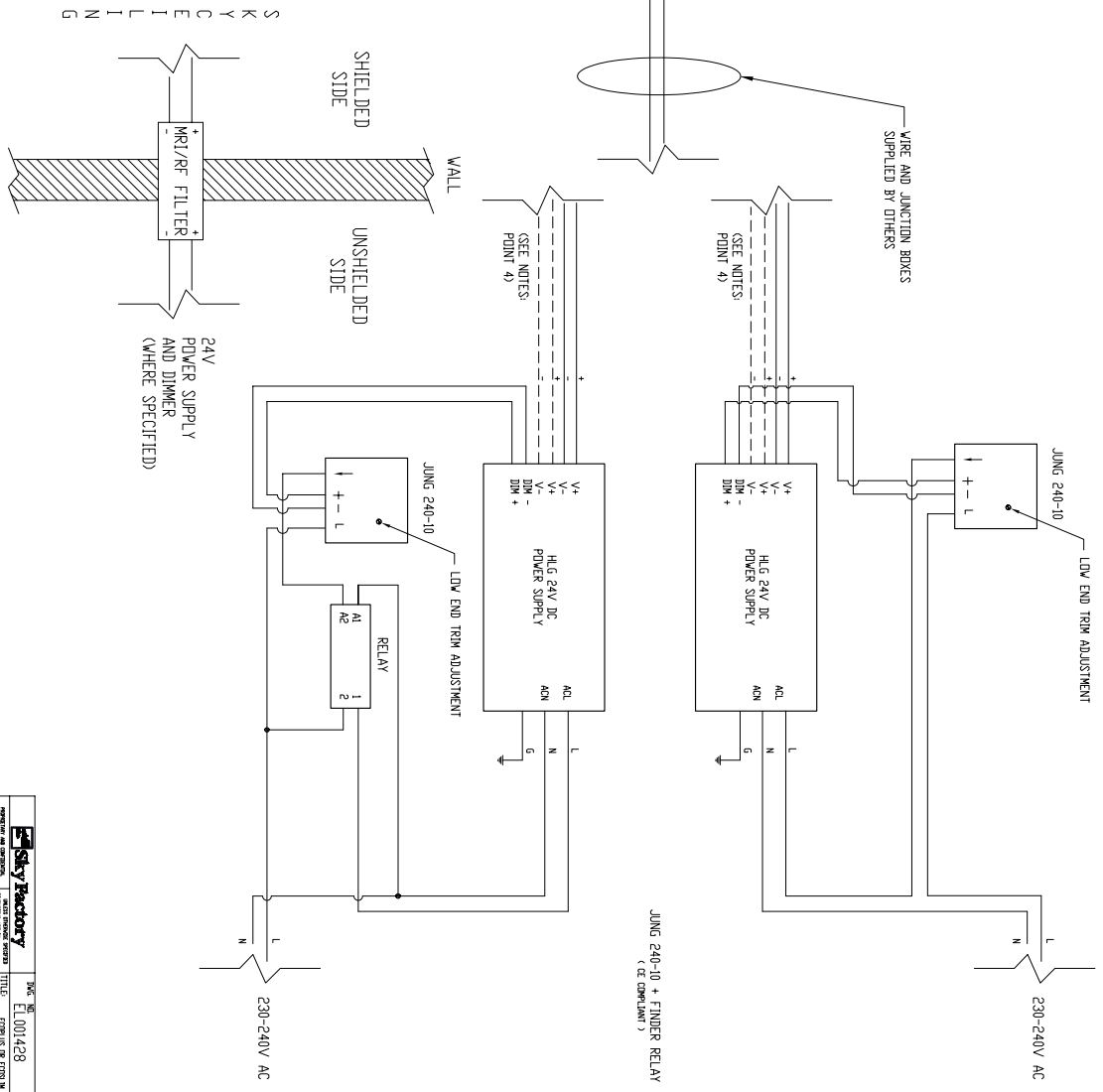
<b>Sky Factory</b>		MANUFACTURER OF DIMMABLE LED LIGHTING FIXTURES	
10000 Skyway Blvd, Suite 100, Dallas, TX 75243		TEL: 972.443.8888	
www.skyfactory.com		FAX: 972.443.8888	
P.O. BOX 10000, DALLAS, TX 75243		E-MAIL: SALES@SKYFACTORY.COM	
REV. 01/15		DATE: 01/25/2024	
SCALE: 1/8" = 1'		SHEET: 1 OF 1	
PROJECT: EL001453		TITLE: EP AND ES SERIES WITH HLG POWER SUPPLY	
DRAWN BY: GSK		DATE: 01/25/2024	
CHECKED BY: GSK		SCALE: 1/8" = 1'	
APPROVED BY: GSK		SHEET: 1 OF 1	

EP AND ES SERIES FIXTURES  
WITH HLG POWER SUPPLY  
DIMMING OPTION

- ECOPLUS  
EP22 SERIES, EP24 SERIES,  
EP26 SERIES, EP33 SERIES,  
EP34 SERIES, EP36 SERIES,  
EP44 SERIES, EP46 SERIES,  
EP55 SERIES, EPCST SERIES
- ECOSLIM  
ES22 SERIES, ES24 SERIES,  
ES26 SERIES, ES33 SERIES,  
ES34 SERIES, ES36 SERIES,  
ES44 SERIES, ES46 SERIES,  
ECSST SERIES



- NOTES:  
1. ALL FIXTURES 24V DC  $\equiv$  DNLX  
2. JUNCTION BOX ATTACHED TO EACH FIXTURE  
WIRE SIZES 18 AWG STRANDED  
WIRE COLORS:  
RED (+) (POSITIVE)  
BLACK (-) (NEGATIVE)  
3. EP36,44,46,55 AND ES36,44,46 HAVE TWO SETS OF LEADS.  
ALWAYS CONNECT RED (+) TO RED (+) AND BLACK (-)  
TO BLACK (-).  
4. HLG-480H-248 AND HLG-600H-248 HAVE TWO SETS  
OF OUTPUT LEADS. MANUALLY RECOMMENDS NO MORE THAN  
240 WATTS ON EACH SET OF CABLES FOR HLG-480H-248  
480 WATTS ON EACH SET OF CABLES FOR HLG-600H-248  
5. FOR ALL SINGLE FIXTURE, EP22 AND ES22 INSTALLATIONS,  
DIMMER CONTROL IS FACTORY SET FOR OPTIMAL DIMMING.

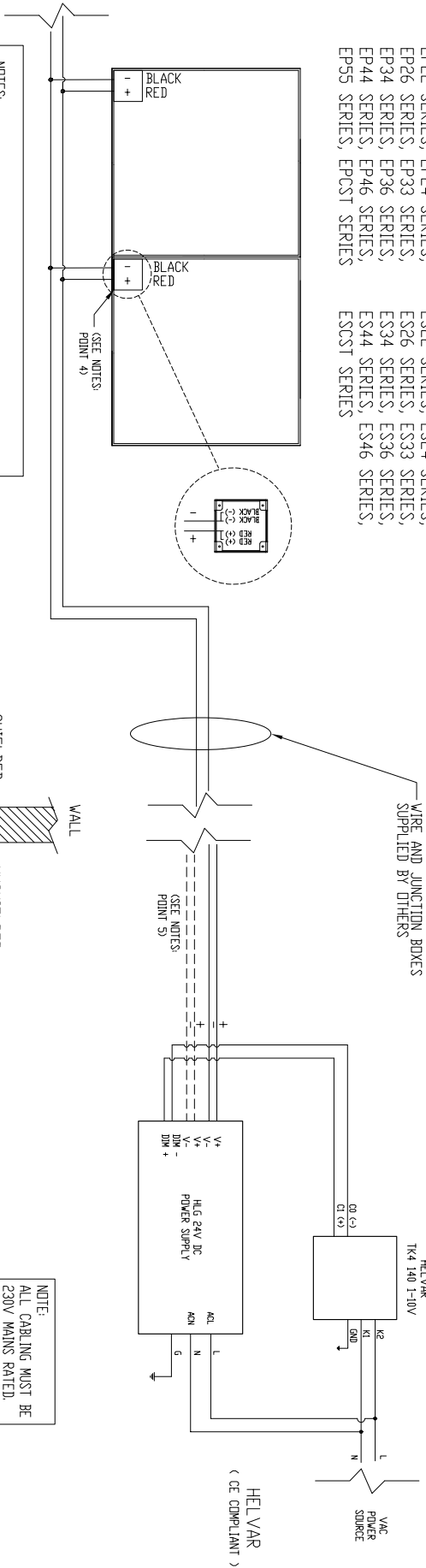


	<b>SKY FACTORY</b> 10000 W. 10TH AVENUE DENVER, CO 80202 TEL: 303.733.8888 WWW.SKYFACTORY.COM
TITLE: ELO01428 DRAWN BY: JIMMIE WATSON CHECKED BY: JIMMIE WATSON DATE: 11/11/11	REV: F DATE: 11/11/11 BY: JIMMIE WATSON REASON: DIMMING OPTION

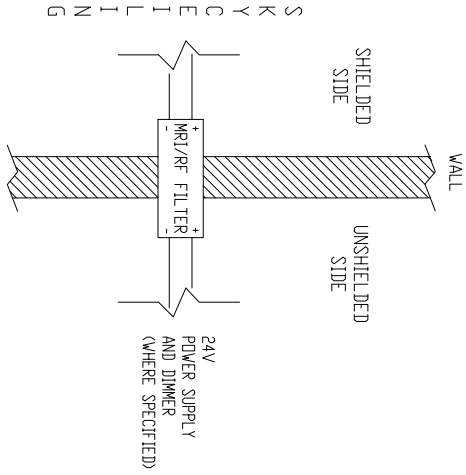


EP AND ES SERIES FIXTURES  
WITH HLG POWER SUPPLY  
DIMMING OPTION

- |   |  |
|---|--|
| ECDPLUS   | ECDSLIM  |
| EP22 SERIES, EP24 SERIES,<br>EP26 SERIES, EP33 SERIES,<br>EP34 SERIES, EP36 SERIES,<br>EP44 SERIES, EP46 SERIES,<br>EP55 SERIES, EPCST SERIES | ES22 SERIES, ES24 SERIES,<br>ES26 SERIES, ES33 SERIES,<br>ES34 SERIES, ES36 SERIES,<br>ES44 SERIES, ES46 SERIES,<br>ESCST SERIES |



- NOTES:
1. ALL FIXTURES 24V DC ONLY.
  2. JUNCTION BOX ATTACHED TO EACH FIXTURE:  
WIRE SIZE 18 AWG STRANDED  
WIRE COLORS:  
RED (+) (POSITIVE)  
BLACK (-) (NEGATIVE)
  3. USE OF SKY FACTORY APPROVED DIMMING SYSTEM ONLY!  
CONTACT THE SKY FACTORY IF YOU PLAN ON USING A  
DIMMING SYSTEM PROVIDED BY OTHERS.
  4. EP36/44/46/55 AND ES36/44/46 HAVE TWO SETS OF LEADS.  
ALWAYS CONNECT RED (+) TO RED (+) AND BLACK (-)  
TO BLACK (-).
  5. HLG-480H-24B AND HLG-600H-24B HAVE TWO SETS  
OF OUTPUT LEADS. MEANWELL RECOMMENDS NO MORE THAN  
240 WATTS ON EACH SET OF CABLES FOR HLG-480H-24B  
480 WATTS ON EACH SET OF CABLES FOR HLG-600H-24B
- NOTICE: DIMMING USING NON-APPROVED SYSTEMS  
MAY PERMANENTLY DAMAGE LED'S AND WILL  
VOID THE WARRANTY!



NOTE:  
ALL CABLING MUST BE  
230V MAINS RATED.

<b>Sky Factory</b>		REV	0
MULTI-PURPOSE		DATE	01/03/2019
DRAWN BY: [Name]		SCALE	AS SHOWN
CHECKED BY: [Name]		PROJECT	EP AND ES SERIES
APPROVED BY: [Name]		DATE	01/03/2019
SCALE: 1:1		SHEET NO. 1 OF 1	