

IRIS w Aperture Specifications

Back Illuminated Sky Image Ceiling

IRIS 24PS Power System

Input (Typ): 100-120V AC; 50 - 60 Hz; Auto-ranging

Output: 24V DC

Type Non-IC, Low Voltage Luminaire Power Supply

Available sizes: IR-24PS-S-XX-X and IR-24PS-D-XX-X

Available types: LEADER-LN (only power system in an installation)

LEADER-LO (first in a series of linked power systems)

FOLLOWER-FIO (middle[s] in a series of linked power systems)

FOLLOWER-FI (last in a series of linked power systems)

Powder-coated aluminum enclosure w/ removeable front cover

Provides 24DC Power to Iris Luminaires and PoE to Wall Controle

AC IN connector wire sizes: 8-24 AWG (0.2-10mm² solid; 0.2-6mm² flexible)

Power system fixture connector wire sizes: 12-24 AWG (0.2-2.5mm²)

DMX LINK connector wire sizes: 12-24 AWG (0.2-2.5mm²)

Junction box wiring access holes limited to 1/2" nominal trade size conduit

Maxium ambient temperature: 100°F (38°C)

In-line switch between AC source and power system required

Power system suitable for dry locations only.

Multiple power systems may be required.

IRIS Power System Weights ¹ and Dimensions		
IR-24PS-S-XX-X	35 lbs/15.9kg	16 3/8" (41.6cm) wide x 20 9/16" (52.2cm) long x 7 1/4" (18.4cm) high
IR-24PS-D-XX-X	40 lbs/18.2kg	16 3/8" (41.6cm) wide x 20 9/16" (52.2cm) long x 7 1/4" (18.4cm) high
¹ Maximum weights and dimensions shown. Weight may vary per luminaire configuration.		

Maximum Watts (useable) per IRIS Power System		
Power System	Watts	Amps
IR-24PS-S-XX-X	336W	8A max per output; 14A total
IR-24PS-D-XX-X	672W	8A max per output; 28A total

IRIS Touch Screen Wall Control

5" touch screen; 800x480 24bpp with on/off, dimming, and automated

Sunrise-to-Sunset Biomimicry cycles

Single or Multi-room control with custom User Interface

Wall mounted w Universal Mounting Plate fits US 2.5" back box

35' (10.6m) Cat 6 cable provided. PoE from IR-24PS

Comes in Jet Black or Signal White

Circadian *illusion of nature:*

The sunrise-to-sunset color shift and daylight variability fluctuations generated by IRIS are the result of its proprietary, cross-functional LED modules:

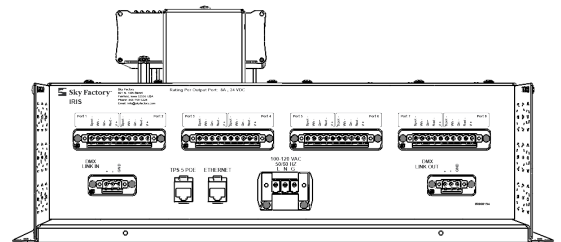
PRISM LED -- The Proprietary *index* for Spectrum Modulation (PRISM) function combines seven distinct wavelengths that realistically generate the sky's natural color and light intensity changes from sunrise to sunset.

DiAL LED -- The Daylight *intensity* Algorithm (DiAL) modulates daytime light intensity by mimicking the subtle and organic fluctuations of clouds moving across the sky.

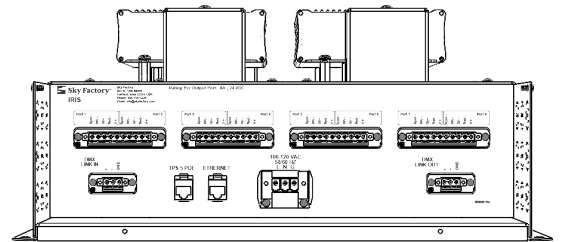
Both the PRISM and DiAL LED modules are custom-tailored in accordance with the cloud patterns and spatial properties of each Open Sky Composition by trained Sky Factory artists.

The IRIS 24PS Power System utilizes proprietary software and state-of-the-art hardware to drive Sky Factory's family of custom tailored Luminous SkyCeilings.

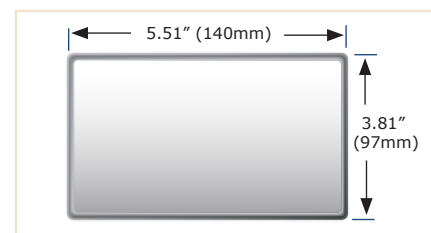
IR-24PS-S-XX-X
Single Power System*
with front cover removed



IR-24PS-D-XX-X
Dual Power System*
with front cover removed



*Port configuration varies per model and installation demands



IRIS w Aperture Luminaires

1 Lighting (IRIS LED back-lit luminaire):

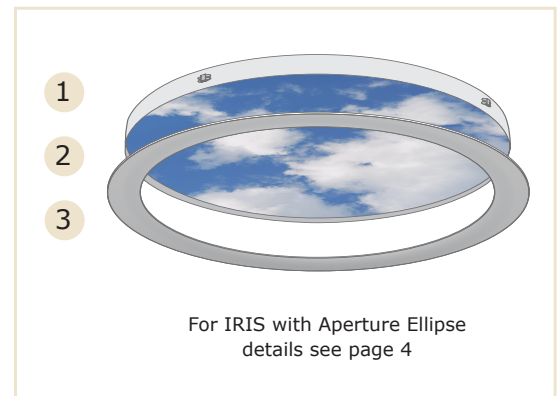
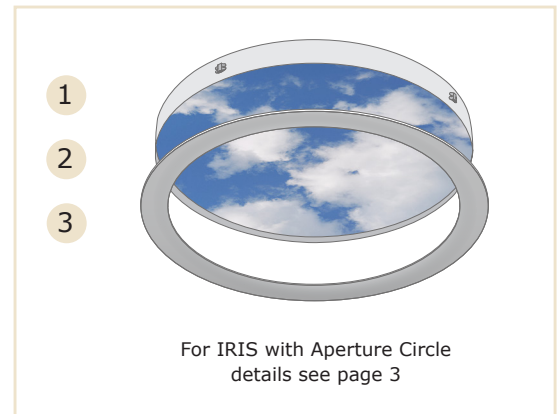
Circadian *illusion of nature* featuring location-specific, sunrise-to-sunset biomimicry and light intensity algorithms. For details, see page 1
Type IC, inherently protected
Strict LED binning standards assure consistent & high quality illumination
Polychromatic LED lamps positioned to match the composition of SkyTile image selection
State of the art back lit technologies provide uniform illumination for the Luminous SkyTile graphic
Housed in a white powder-coated (non-ferrous) aluminum frame
Moisture and chemical resistant
Pre-wired junction box with a 5 port connector

2 Luminous SkyTile (lens):

Acrylic, Acrylite, or polycarbonate substrate
Durable and easy to clean non-glare matte finish
High resolution reproduction from proprietary digital image file specifically designed for sunrise-to-sunset biomimicry
Content selection and customization of Images a distinguishing feature of our products
See our image library on our website and/or speak with a Sky Factory SkyDesigner
Color-calibrated for daylight quality light source
Fade resistant pigmented inks containing UV inhibitors

3 Aperture Trim:

Specifically designed to enhance visual depth
Precut to fit light box and snaps in place
Fire-rated MDF and highly durable white lacquer finish



Intended Use:

Photographic art luminaires are used for aesthetic purposes and are not suitable for room illumination or other purposes.

To explore specific combinations of IRIS Power Systems and Sky Factory luminaires, contact a Sky Factory SkyDesigner at 866.759.3228 or visit www.skyfactory.com

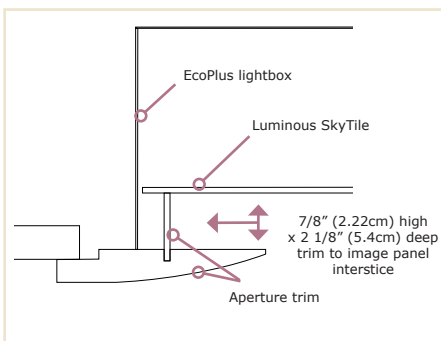
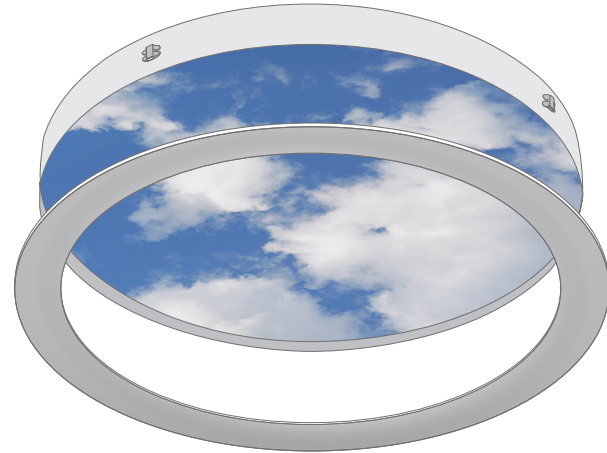
US Patent Information:

Our products, systems, and methods may be protected by one or more of the following US Patents: Pat. 9,164,011, Pat. 8,851,700, Pat. 7,959,316, and Pat. 7,481,550, as well as other patents pending.

IRIS Aperture Circle Series

Key Attributes:

- Large single image tile
- Enhanced illusion with trim to image panel interstice
- Non-ferrous, RF-free construction
- Minimal assembly



Model	Amps ¹ @ 24V DC	Power ¹	Weight	Dimensions
IR-AP-CIR-3	3	72	23 lbs (10.5kg) Per suspension point 5.8 lbs (2.7kg)	8 3/8" (21.3cm) high 32 1/2" (82.6cm) EcoPlus light box outside dim. 36" (92cm) trim outside dim.
IR-AP-CIR-4	5	120	40 lbs (18.2kg) Per suspension point 10 lbs (4.6kg)	8 3/8" (21.3cm) high 44 1/2" (113cm) EcoPlus light box outside dim. 48" (122cm) trim outside dim.
IR-AP-CIR-5	7.85	188.4	63 lbs (28.6kg) Per suspension point 15.8 lbs (7.2kg)	8 3/8" (21.3cm) high 56 1/2" (144cm) EcoPlus light box outside dim. 60" (153cm) trim outside dim.

¹Maximum potential power output shown. Programmed power output typically 30% less.

Ceiling Clearance:

Minimum space required above finished ceiling or grid: 8.375" (21.3cm)
not including means to connect suspension to building structure

Configurations:

For sample configurations, go to skyfactory.com

Installation:

IRIS Aperture luminaires are designed to be recessed in a variety of grid and hard ceilings.

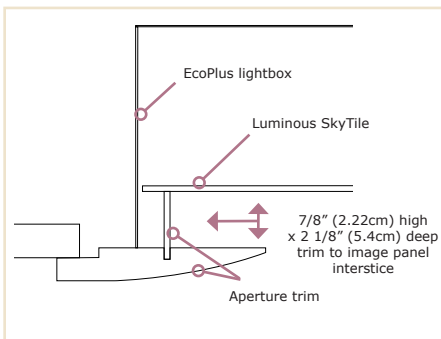
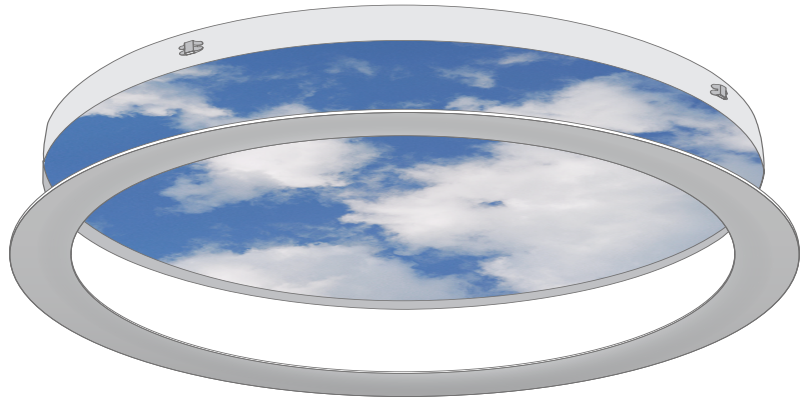
UL and CSA Listed:

IRIS Aperture Series UL/CSA Listed by UL, LLC

IRIS Aperture Ellipse Series

Key Attributes:

- Large single image tile
- Enhanced illusion with trim to image panel interstice
- Non-ferrous, RF-free construction
- Minimal assembly



Model	Amps ¹	Power ¹ @ 24V DC	Weight	Dimensions
IR-AP-ELP-4x6	7.95	190.8	62 lbs (28.2kg) Per suspension point 15.5 lbs (7.1kg)	8 3/8" (21.3cm) high 44 1/2" x 68 1/2" (113cm x 174cm) EcoPlus light box outside dim. 48" x 72" (122cm x 183cm) trim outside dim.
IR-AP-ELP-5x8	9.91	237.84	101 lbs (45.9kg) Per suspension point 16.9 lbs (7.7kg)	8 3/8" (21.3cm) high 56 1/2" x 92 1/2" (144cm x 235cm) EcoPlus light box outside dim. 60" x 96" (153cm x 244cm) trim outside dim.

¹Maximum potential power output shown. Programmed power output typically 30% less.

Ceiling Clearance:

Minimum space required above finished ceiling or grid: 8.375" (21.3cm)
 not including means to connect suspension to building structure

Configurations:

For sample configurations, go to skyfactory.com

Installation:

IRIS Aperture luminaires are designed to be recessed in a variety of grid and hard ceilings.

UL and CSA Listed:

IRIS Aperture Series UL/CSA Listed by UL, LLC